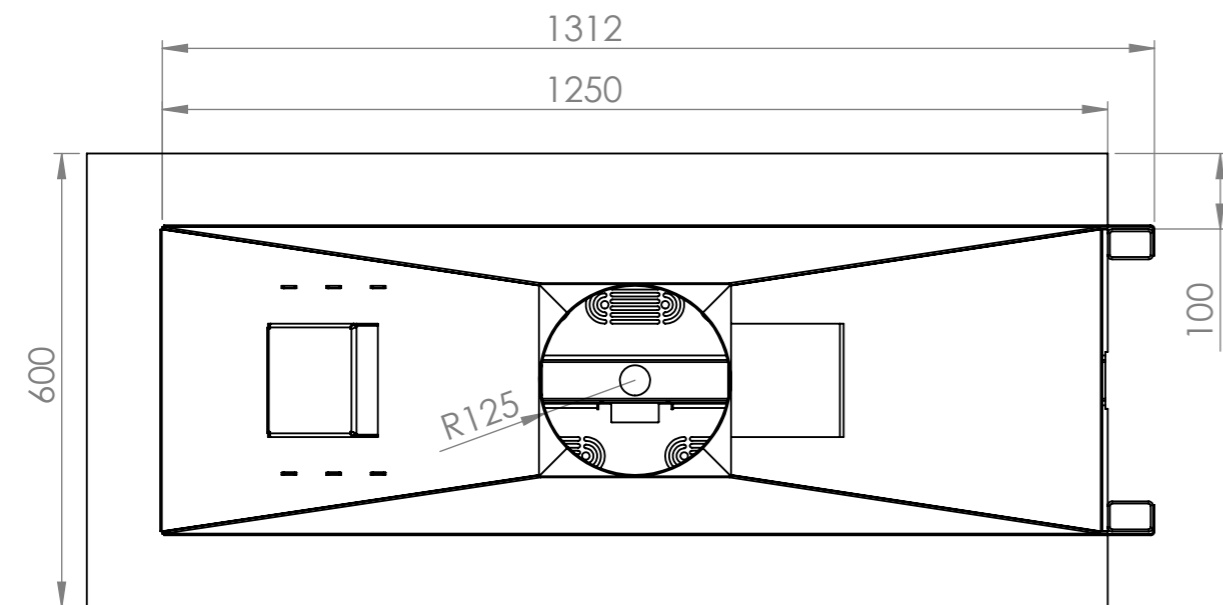
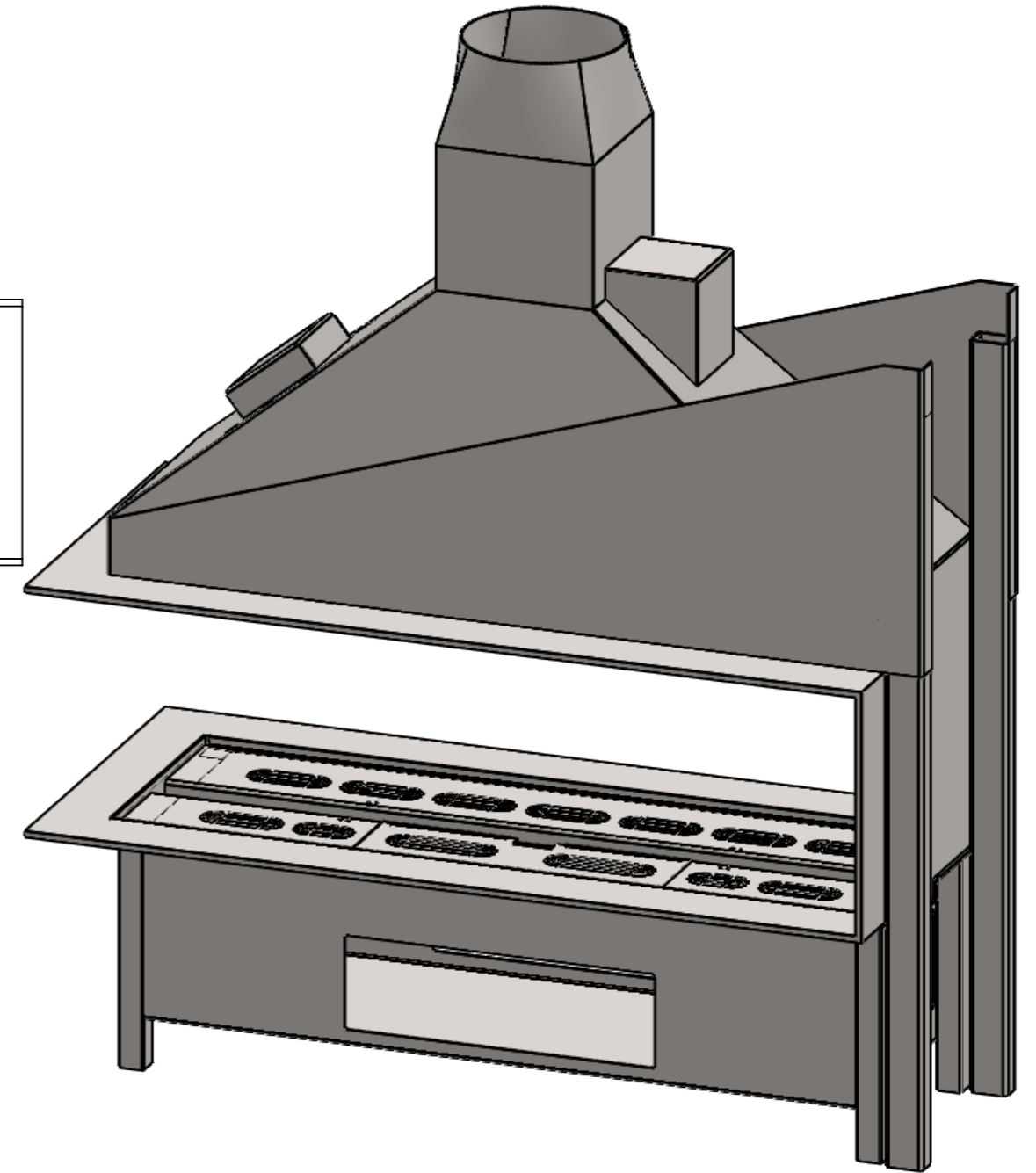
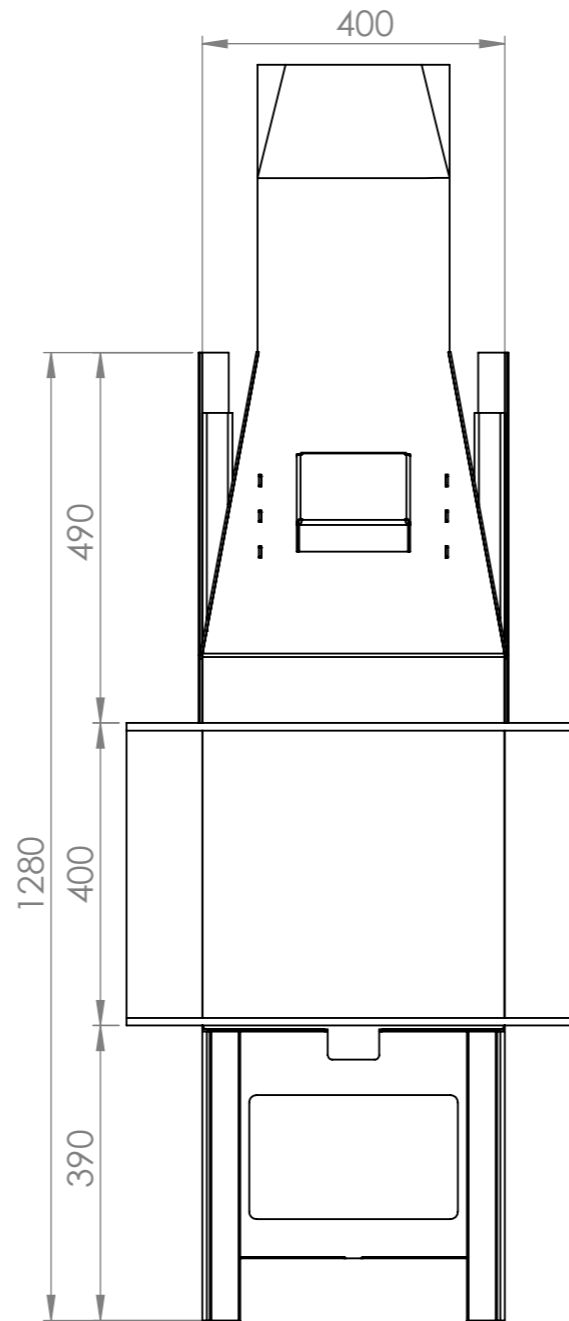
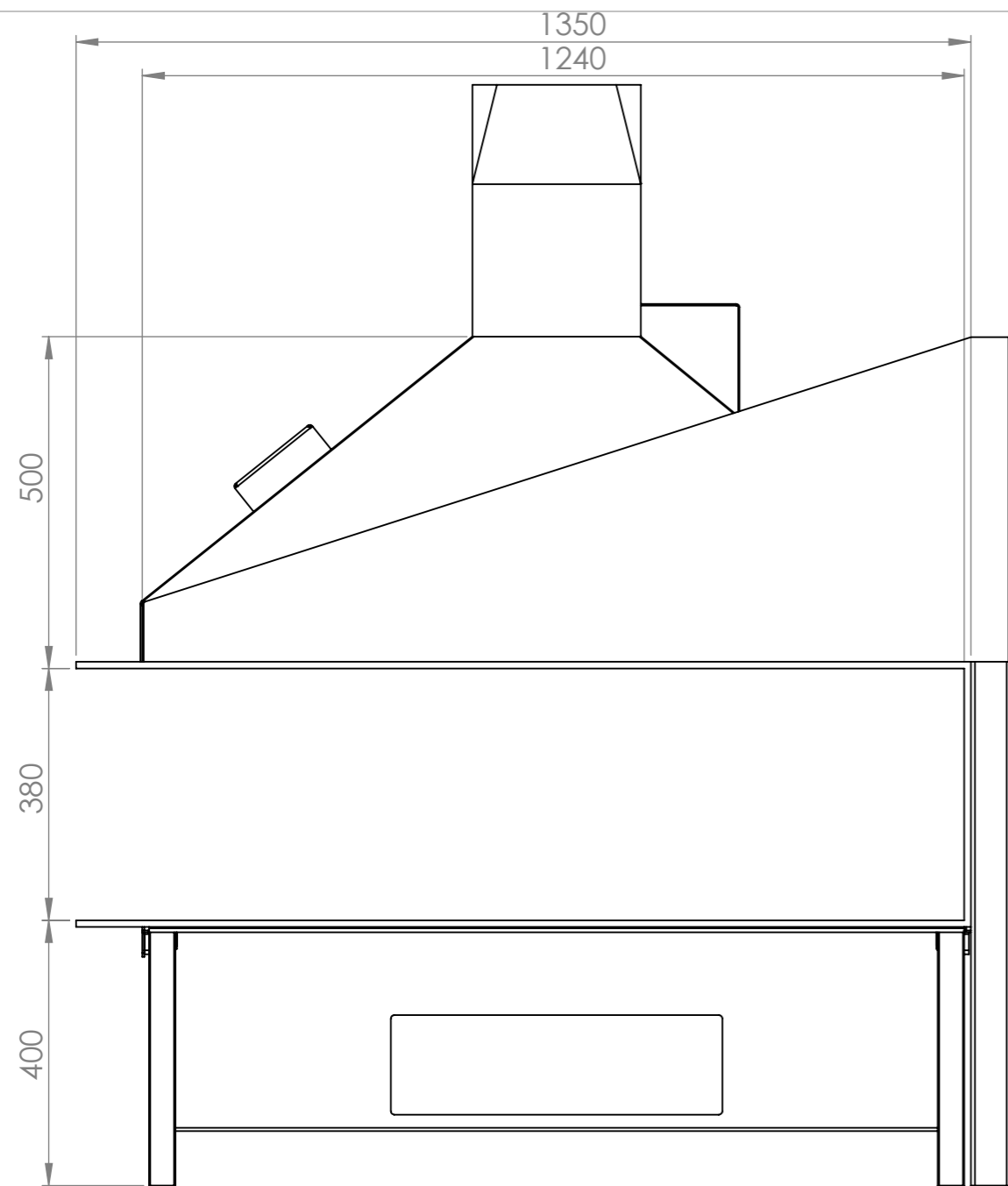
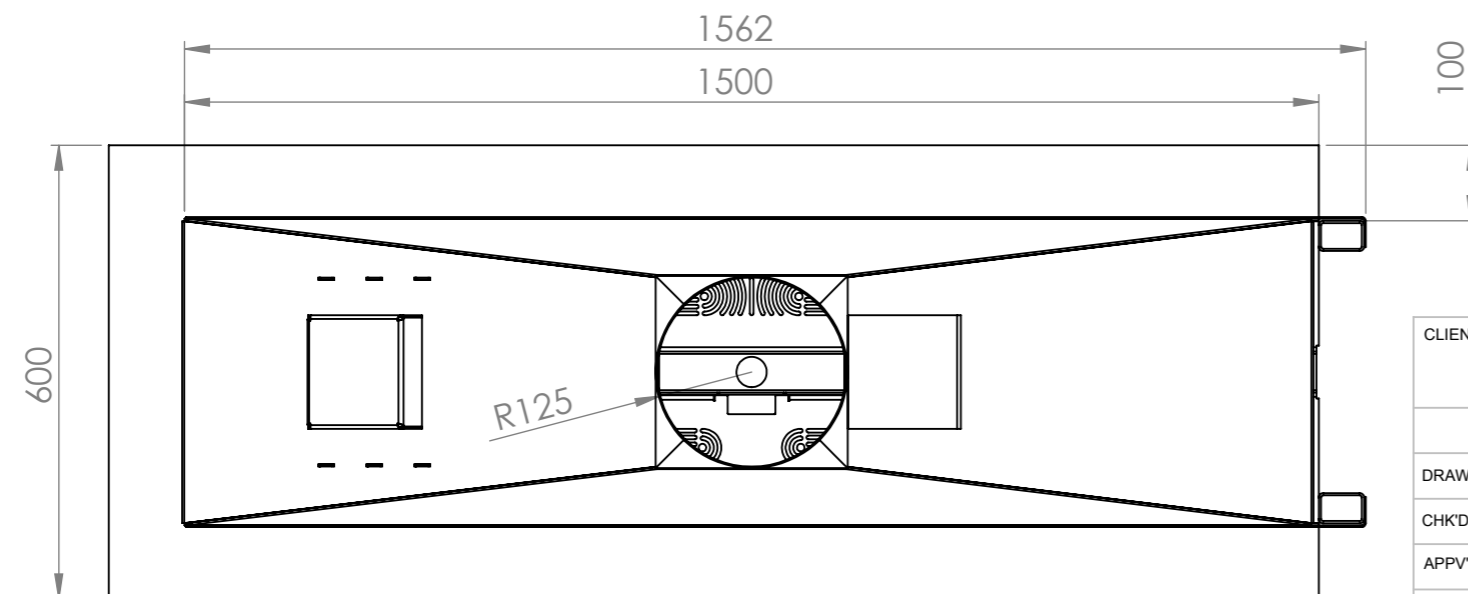
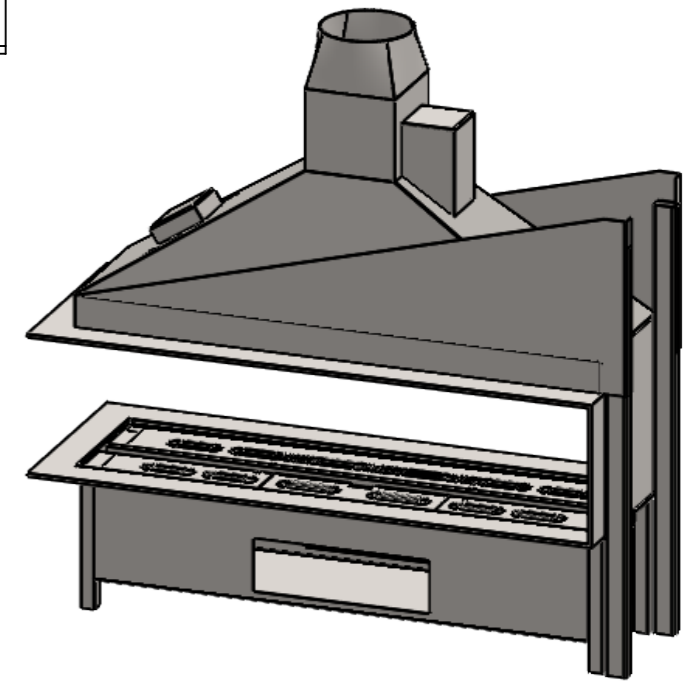
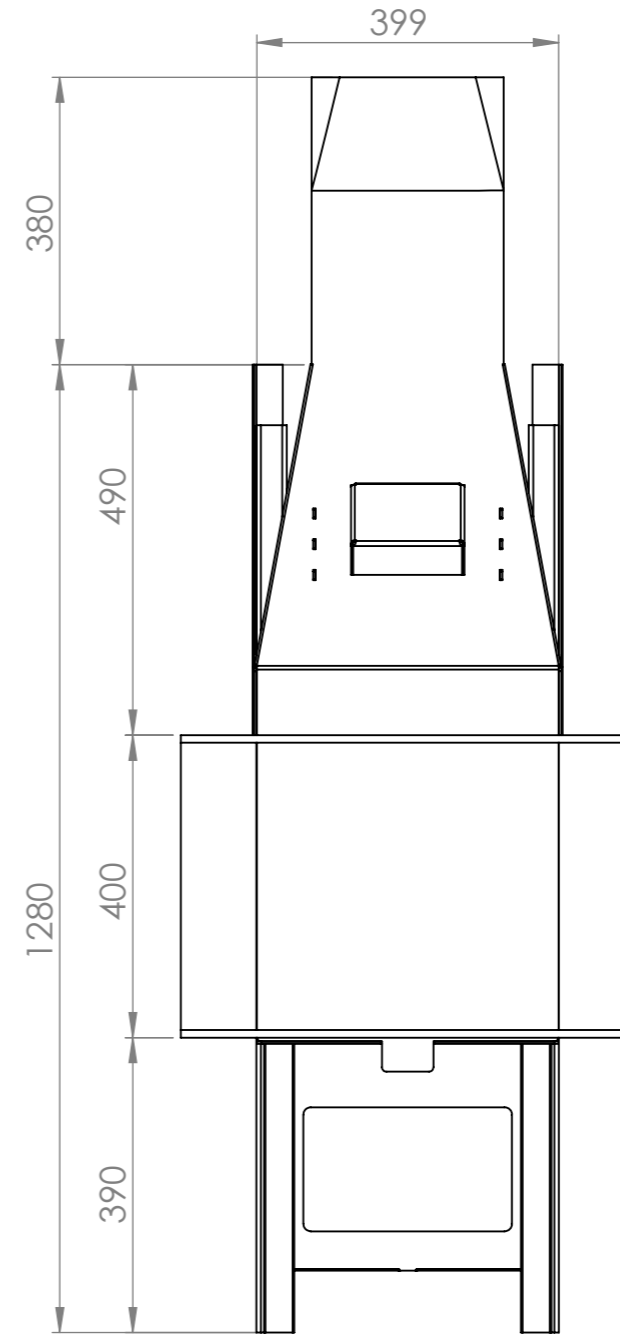
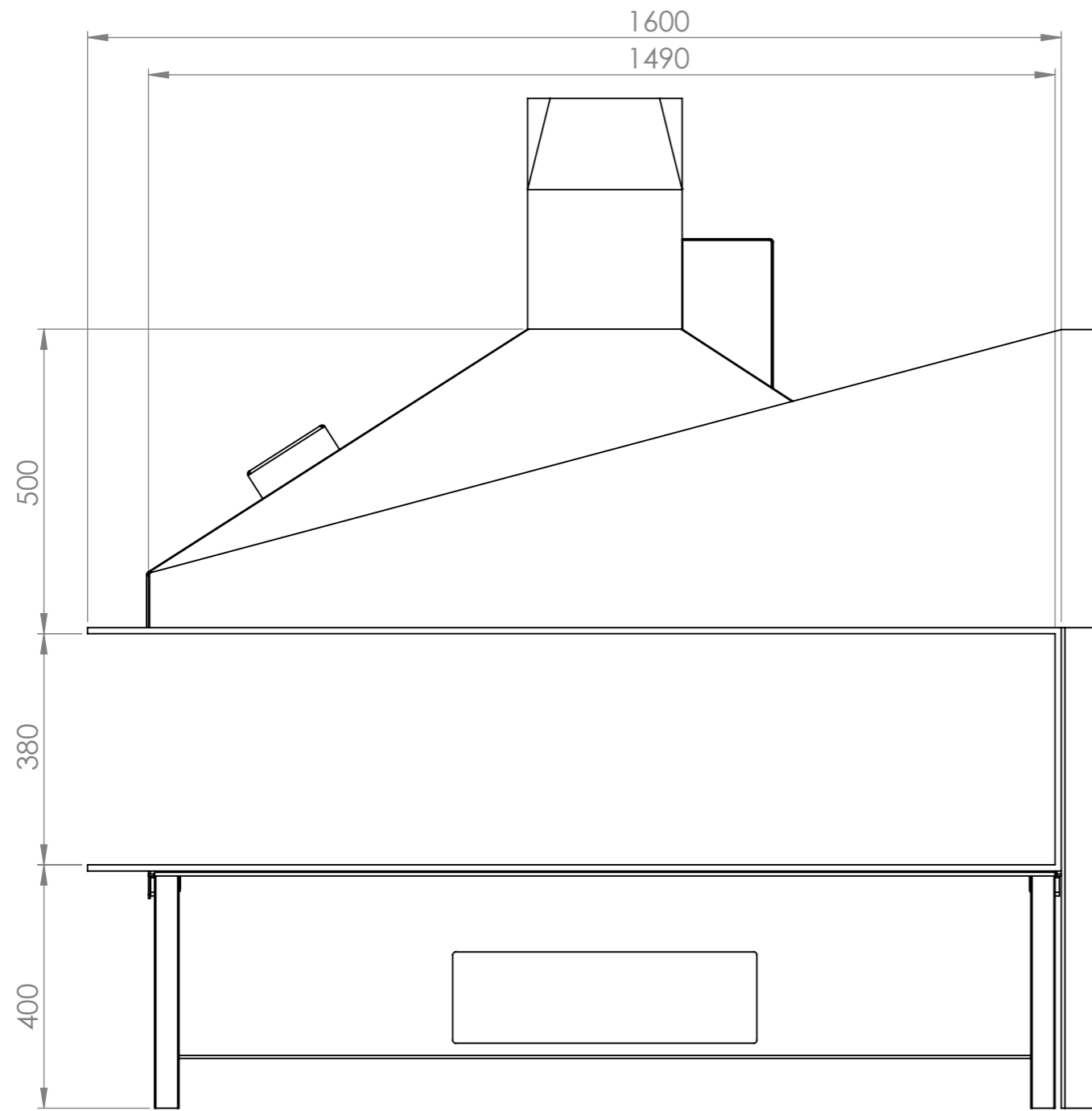


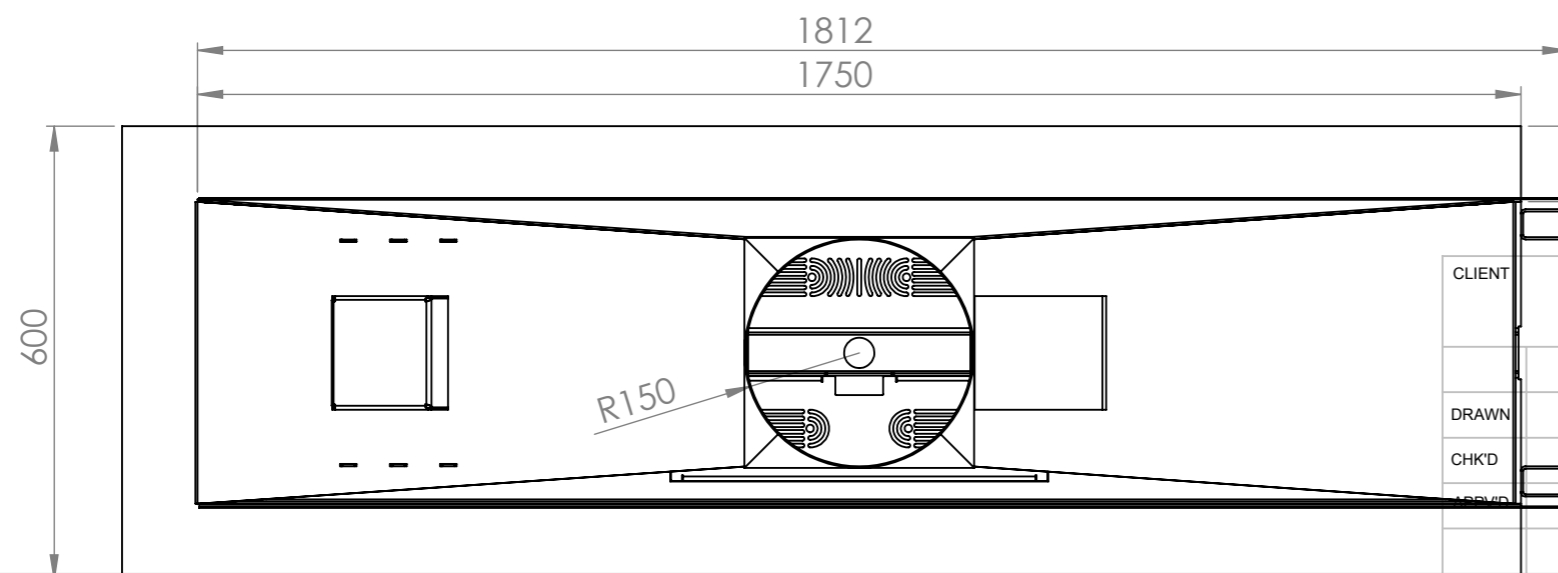
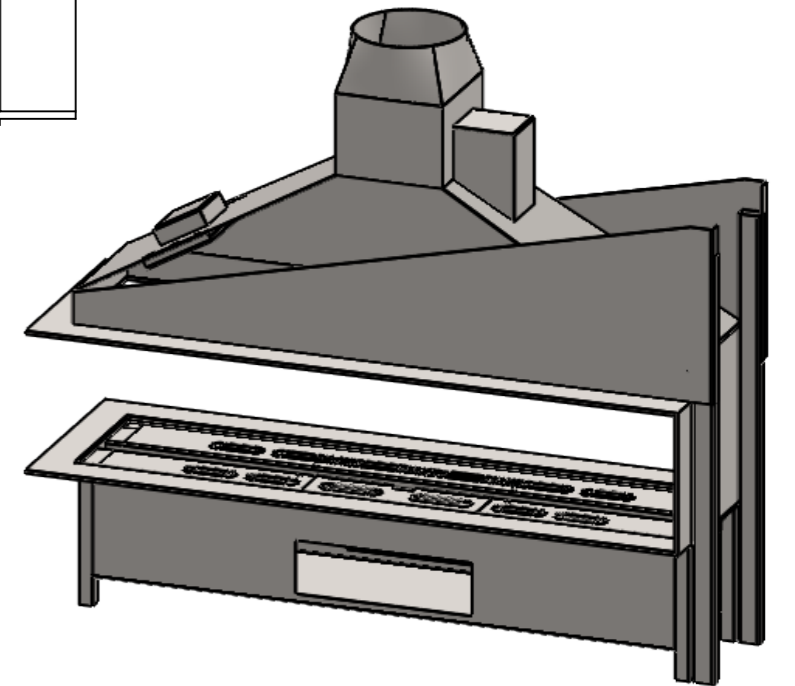
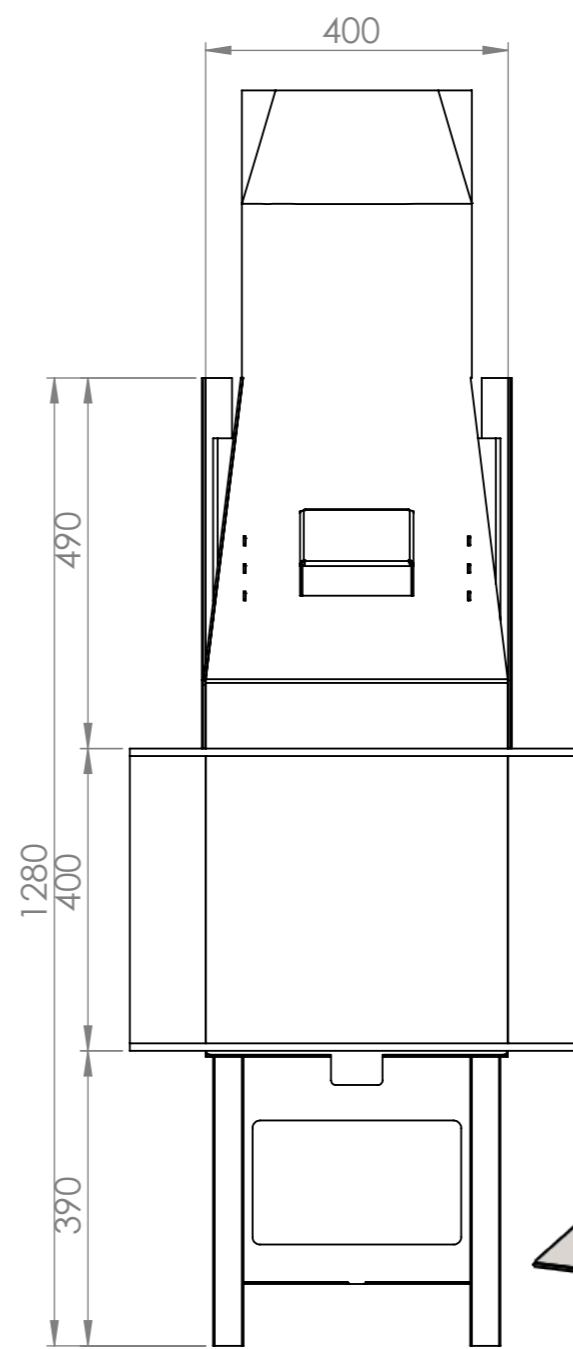
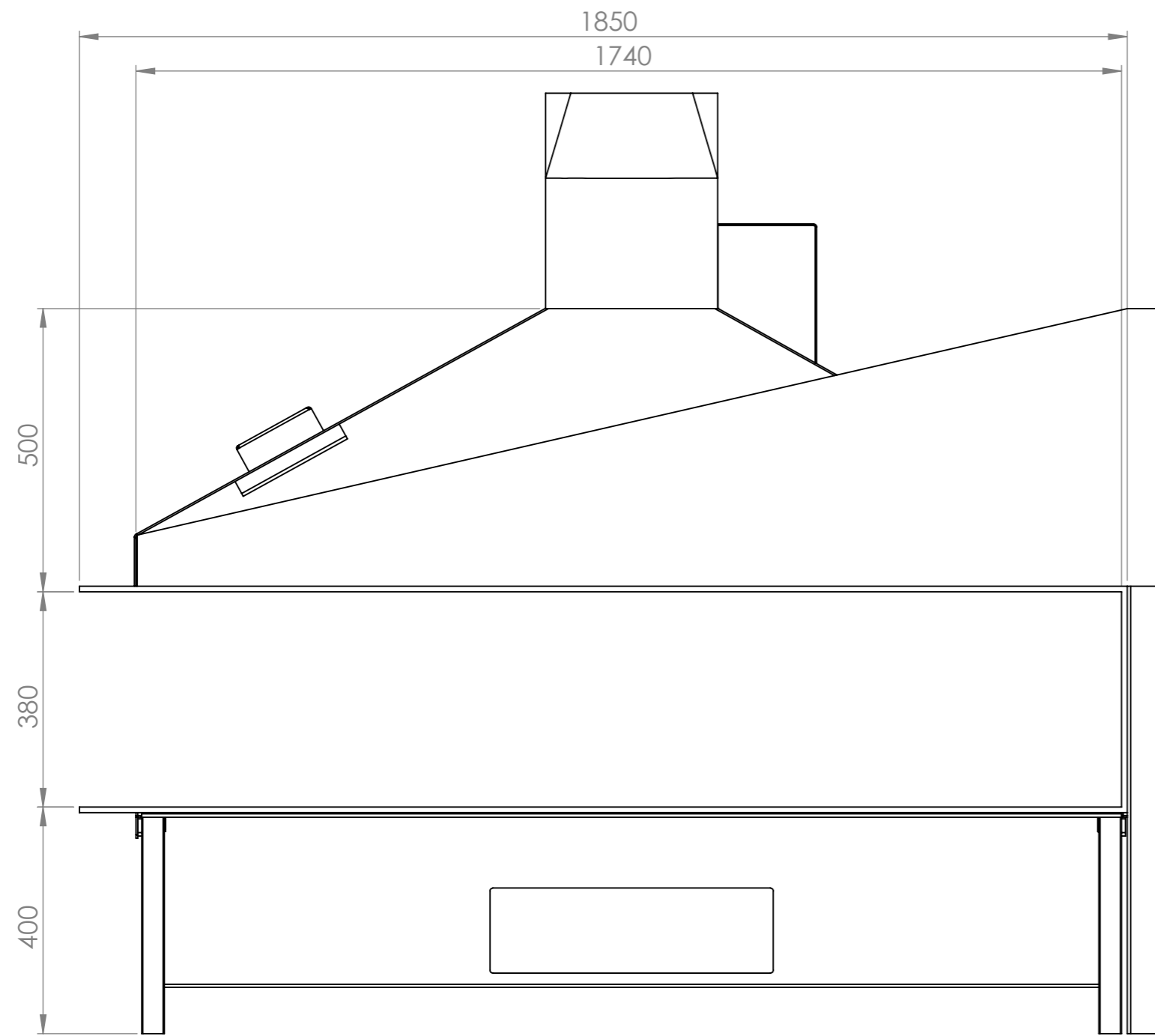
CLIENT				PROJECT Nippon G0 Room divider Slim frame 100/10		ALL RIGHTS RESERVED AND COPYRIGHTS BY <b>VERO</b> Vero Design Zagerijstraat 23 DESIGN B-2960 Sint-Job	
DRAWN		DATE 12/02/2020	SIGN		PART NUMBER NIPPON-G0H3		UNLESS OTHERWISE SPECIFIED: DIMENSIONS ARE IN MILLIMETERS TOLERANCES: ISO 2768 m K
CHK'D					MATERIAL:		
APPV'D					WEIGHT:		
					FINISH:		DEBURR AND BREAK SHARP EDGES
						DO NOT SCALE DRAWING	
						A3 SCALE:1:10 SHEET 1 OF 1	



CLIENT				PROJECT Nippon G1 Room divider Slim frame 100/10		ALL RIGHTS RESERVED AND COPYRIGHTS BY <b>VERO</b> Vero Design Zagerijstraat 23 DESIGN B-2960 Sint-Job	
	NAME	DATE	SIGN	PART NUMBER NIPPON-G1H3		UNLESS OTHERWISE SPECIFIED: DIMENSIONS ARE IN MILLIMETERS TOLERANCES: ISO 2768 m K	DEBURR AND BREAK SHARP EDGES
DRAWN		12/02/2020		MATERIAL:			
CHK'D				WEIGHT:			
APPV'D				FINISH:			<b>A3</b> SCALE:1:10 SHEET 1 OF 1



CLIENT				PROJECT Nippon G2 Room divider Slim frame 100/10		ALL RIGHTS RESERVED AND COPYRIGHTS BY <b>VERO</b> Vero Design Zagerijstraat 23 DESIGN B-2960 Sint-Job	
DRAWN	NAME	DATE 13/02/2020	SIGN	PART NUMBER NIPPON-G2H3		UNLESS OTHERWISE SPECIFIED: DIMENSIONS ARE IN MILLIMETERS TOLERANCES: ISO 2768 m K	DEBURR AND BREAK SHARP EDGES
CHK'D				MATERIAL:			
APPV'D				WEIGHT:			
				FINISH:			
						DO NOT SCALE DRAWING	A3 SCALE:1:10 SHEET 1 OF 1



CLIENT  
DRAWN  
CHKD

NAME	DATE	SIGN
	13/02/2020	

PROJECT Nippon G3 Room divider Slim frame 100/10	
PART NUMBER NIPPON-G3H3	
MATERIAL:	UNLESS OTHERWISE SPECIFIED: DIMENSIONS ARE IN MILLIMETERS TOLERANCES: ISO 2768 m K
WEIGHT:	
FINISH:	

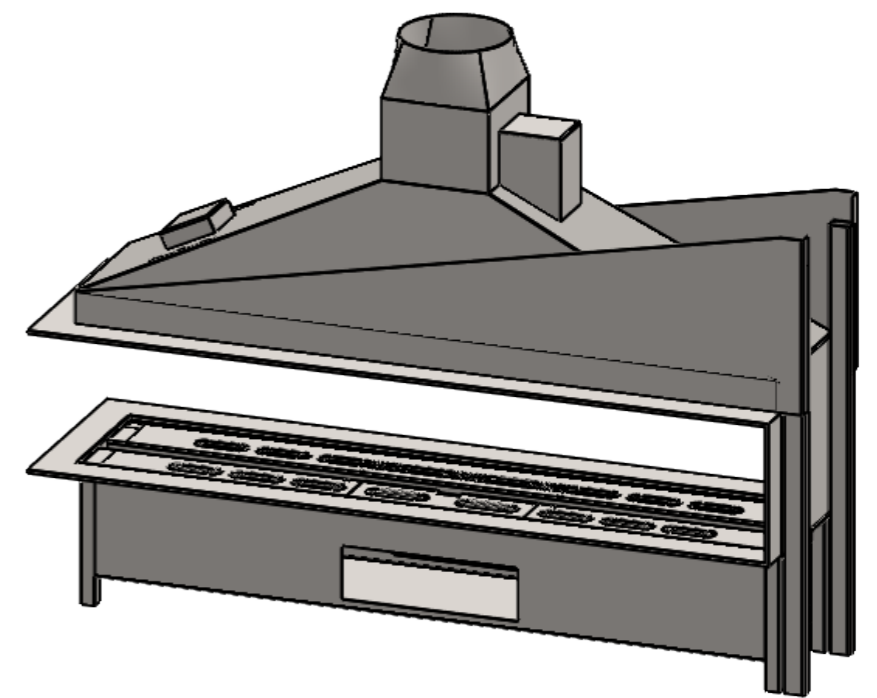
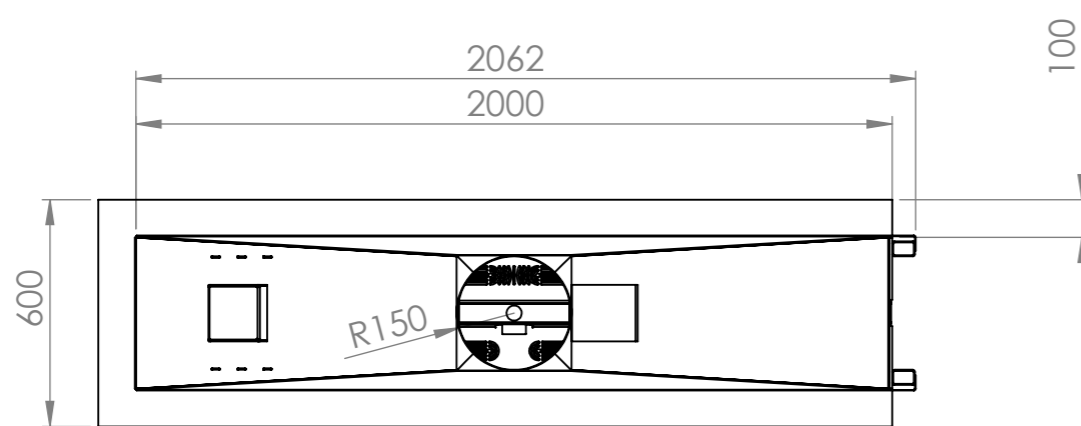
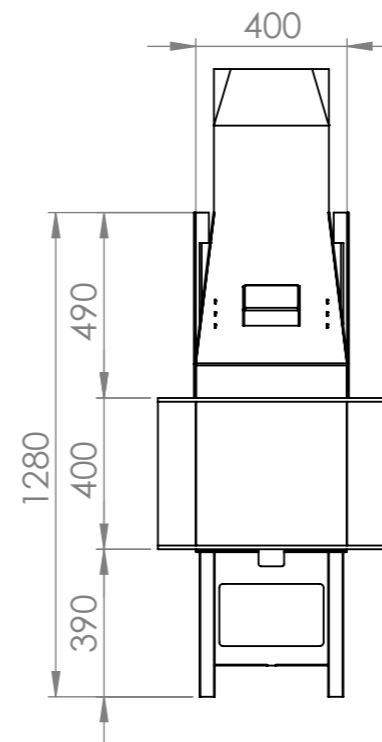
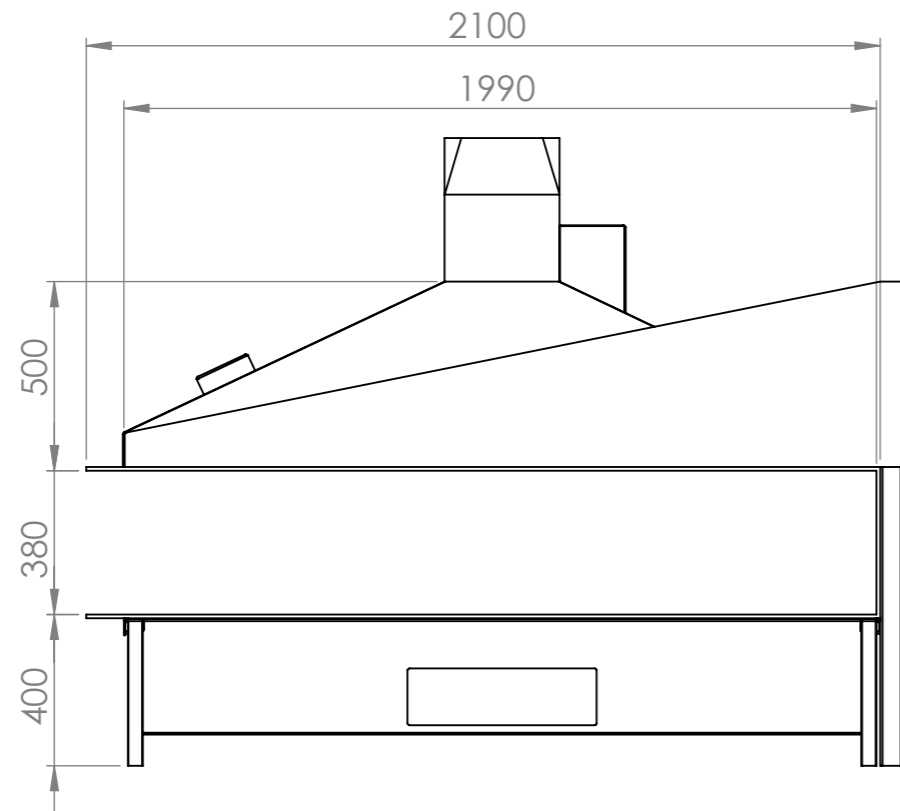
ALL RIGHTS RESERVED AND COPYRIGHTS BY

**VERO DESIGN** Vero Design  
Zagerijstraat 23  
B-2960 Sint-Job

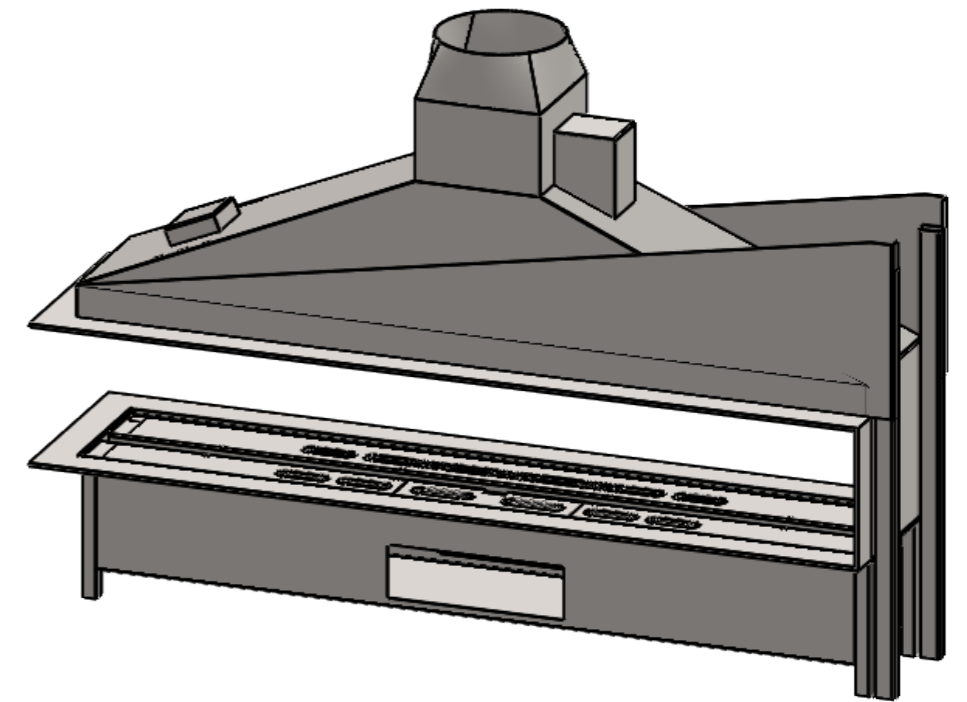
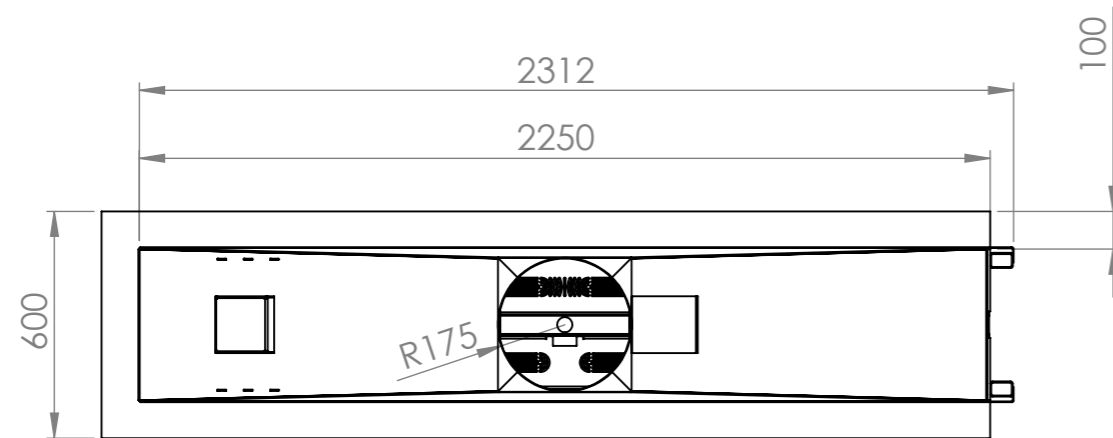
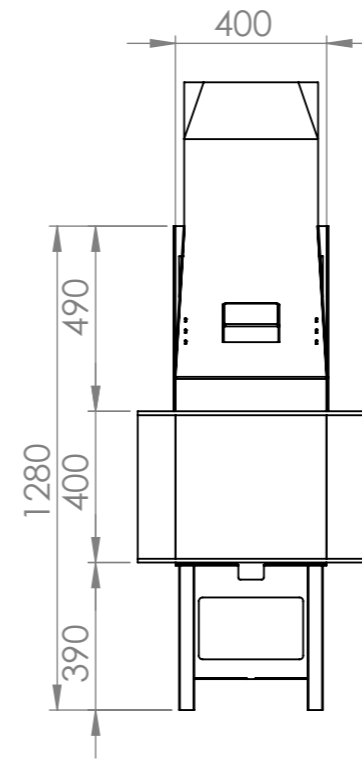
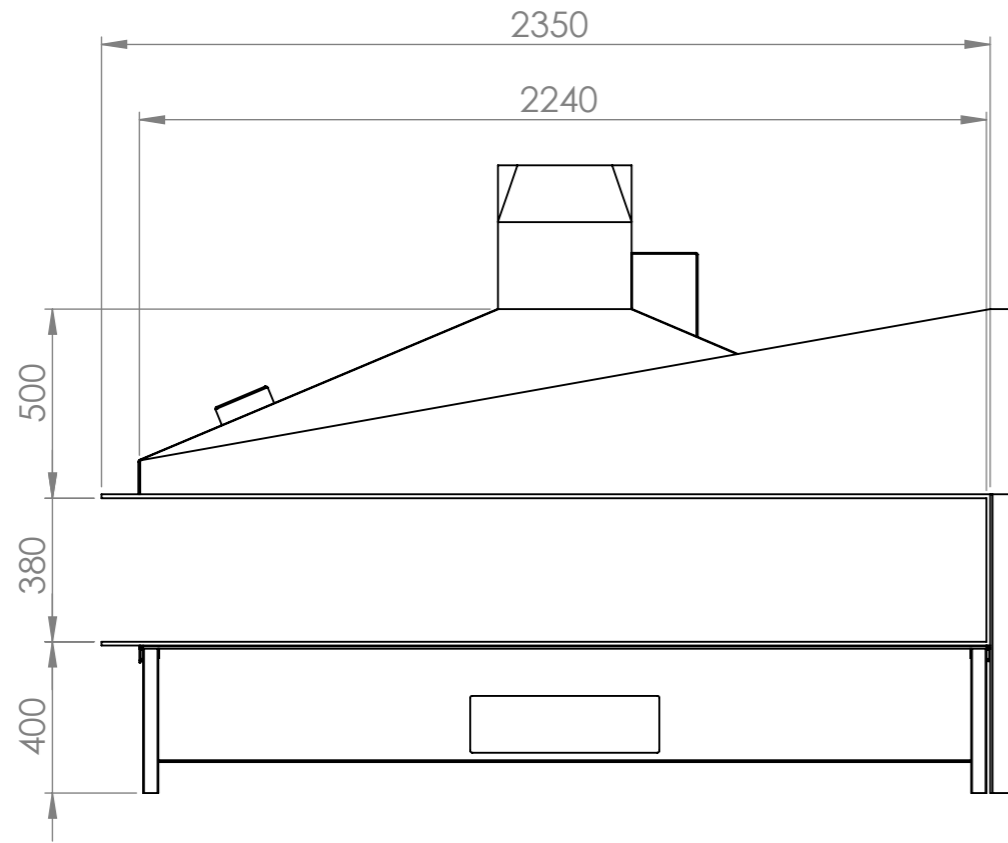
DEBURR AND BREAK SHARP EDGES

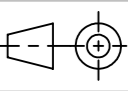
DO NOT SCALE DRAWING

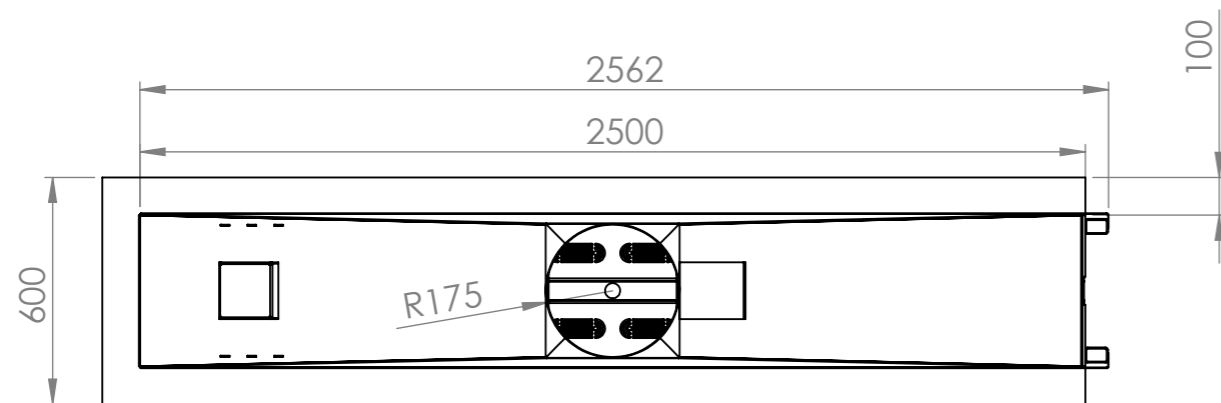
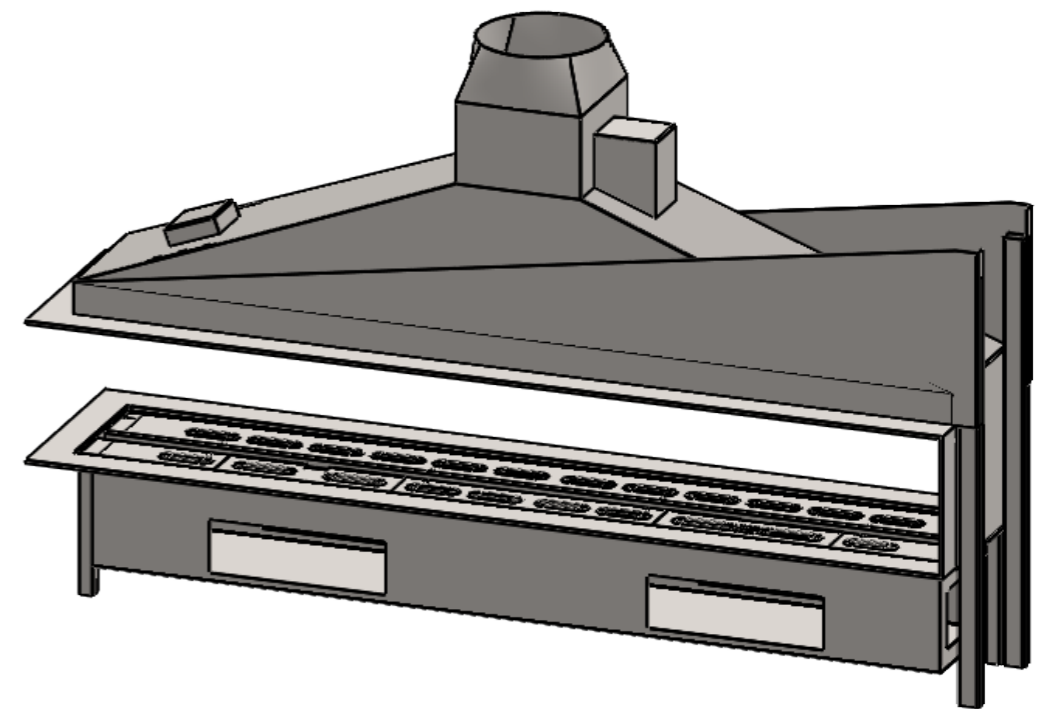
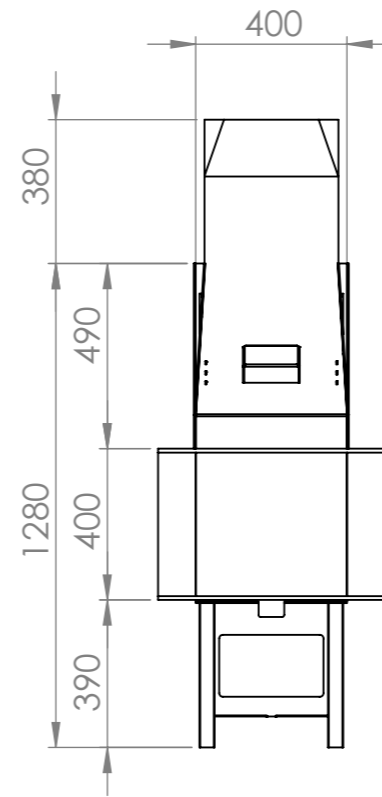
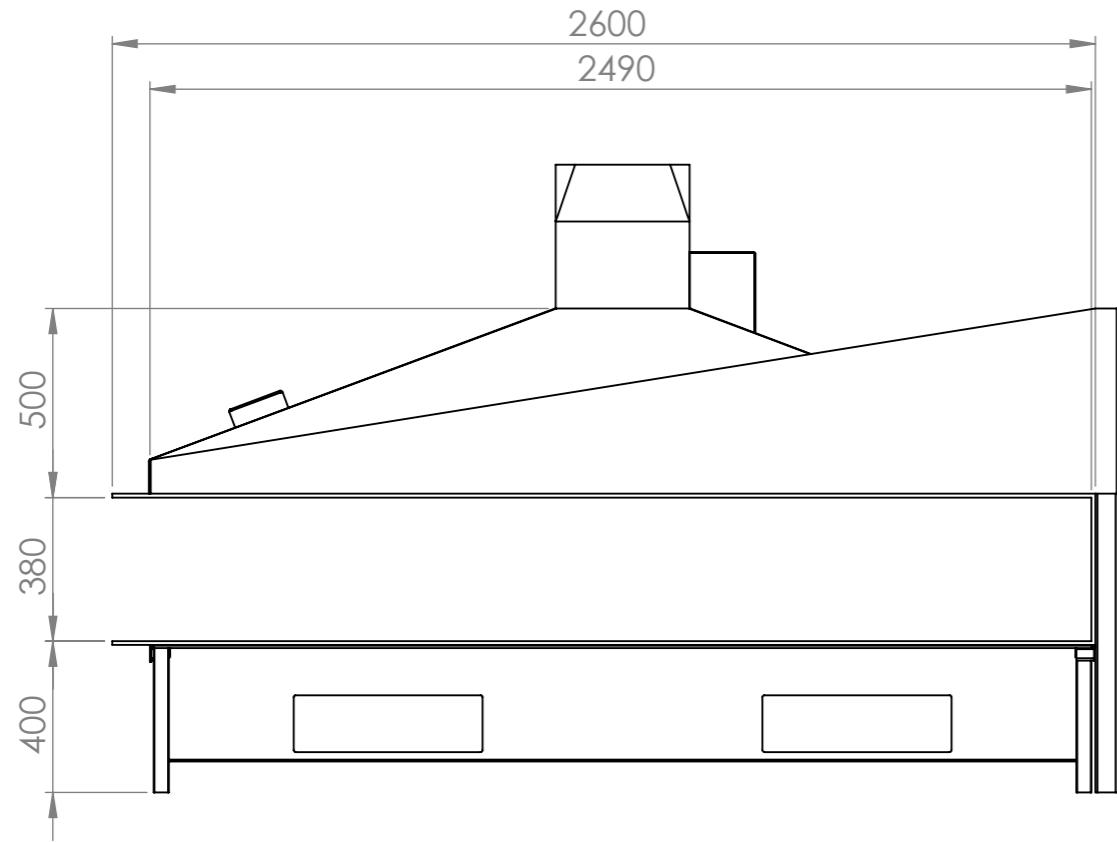
A3  
SCALE: 1:10  
SHEET 1 OF 1


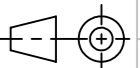


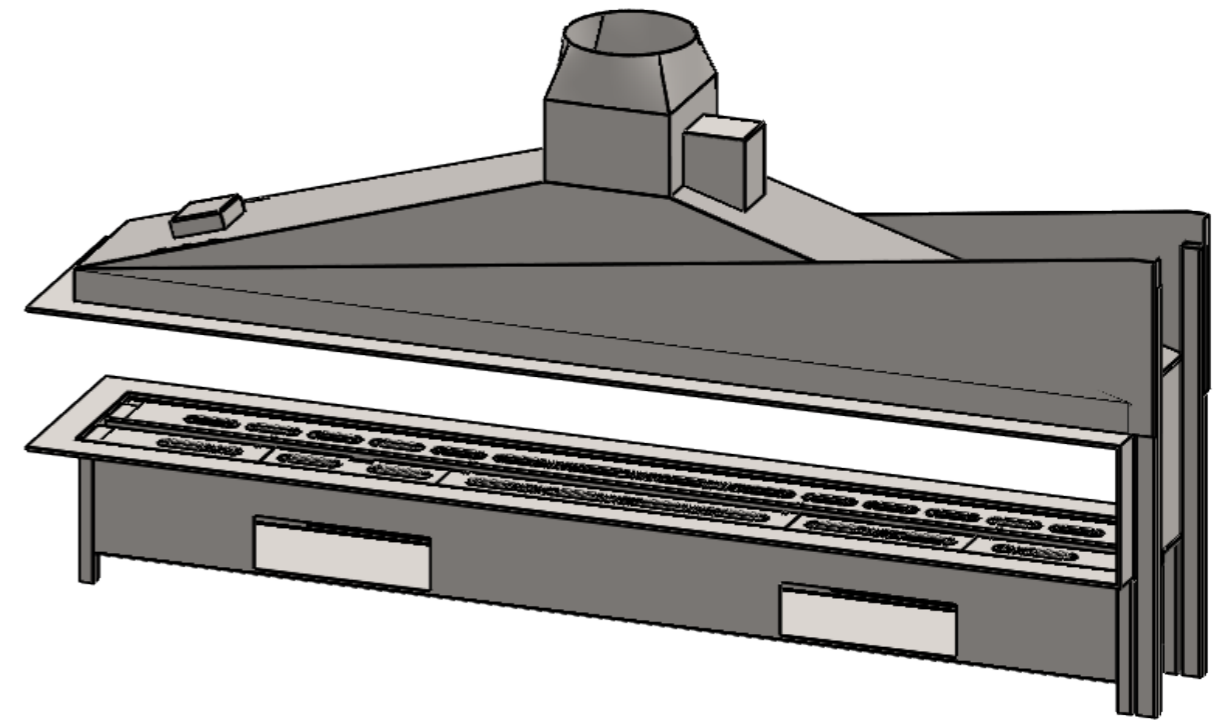
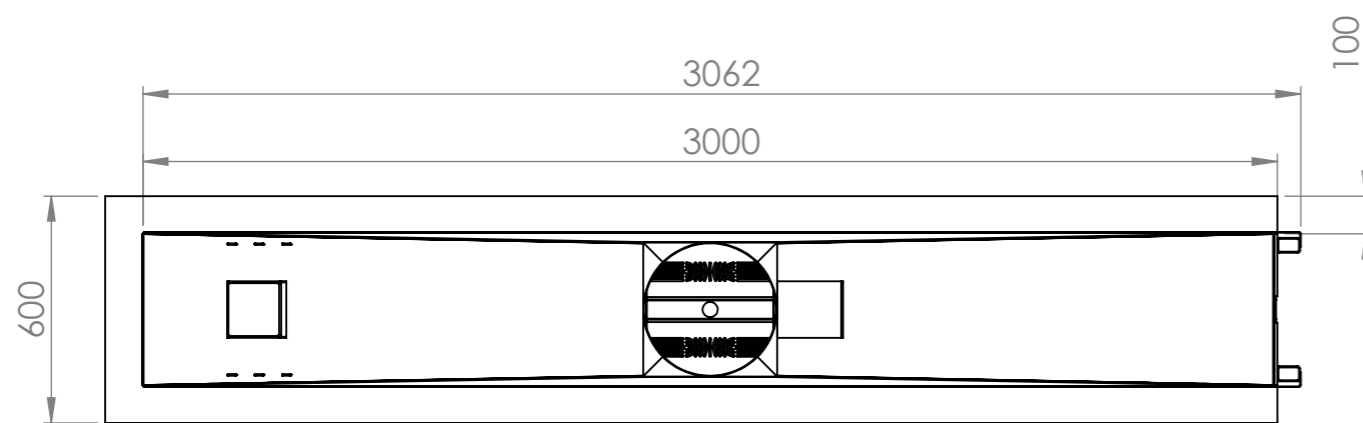
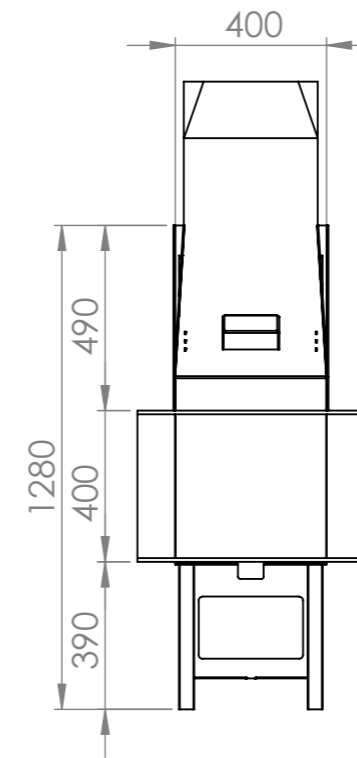
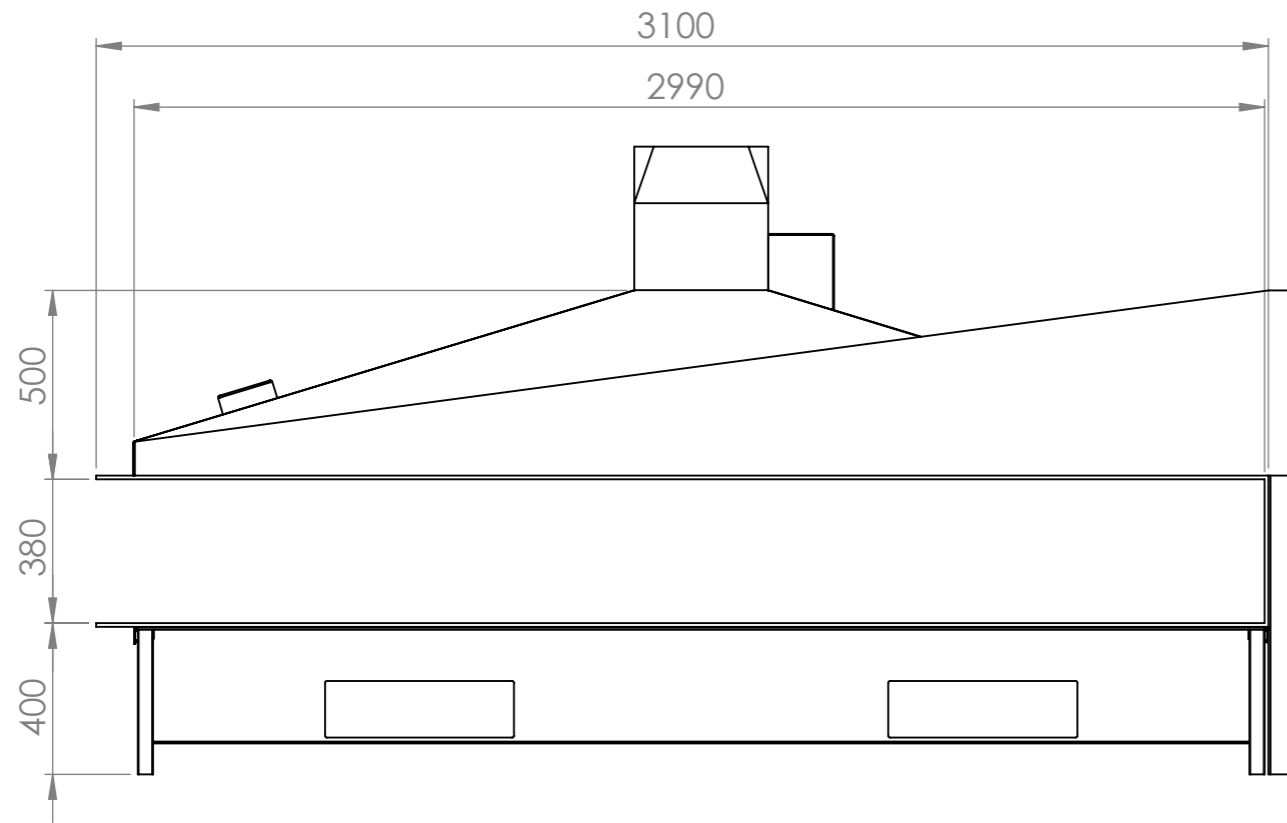
CLIENT				PROJECT Nippon G4 Room divider Slim frame 100/10		ALL RIGHTS RESERVED AND COPYRIGHTS BY <b>VERO DESIGN</b> Vero Design Zagerijstraat 23 B-2960 Sint-Job	
	NAME	DATE	SIGN	PART NUMBER NIPPON-G4H3		UNLESS OTHERWISE SPECIFIED: DIMENSIONS ARE IN MILLIMETERS TOLERANCES: ISO 2768 m K	DEBURR AND BREAK SHARP EDGES
DRAWN		13/02/2020					
CHK'D				MATERIAL:			<b>A3</b> SCALE:1:20 SHEET 1 OF 1
APPV'D			WEIGHT:				
				FINISH:			
						DO NOT SCALE DRAWING	

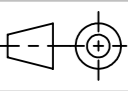


CLIENT				PROJECT Nippon G5 Room divider Slim frame 100/10		ALL RIGHTS RESERVED AND COPYRIGHTS BY <b>VERO DESIGN</b> Vero Design Zagerijstraat 23 B-2960 Sint-Job	
DRAWN		DATE 13/02/2020	SIGN		PART NUMBER NIPPON-G5H3		
CHK'D			MATERIAL:		UNLESS OTHERWISE SPECIFIED: DIMENSIONS ARE IN MILLIMETERS TOLERANCES: ISO 2768 m K		DEBURR AND BREAK SHARP EDGES
APPV'D			WEIGHT:				
			FINISH:				 A3 SCALE:1:20
						DO NOT SCALE DRAWING	
						SHEET 1 OF 1	

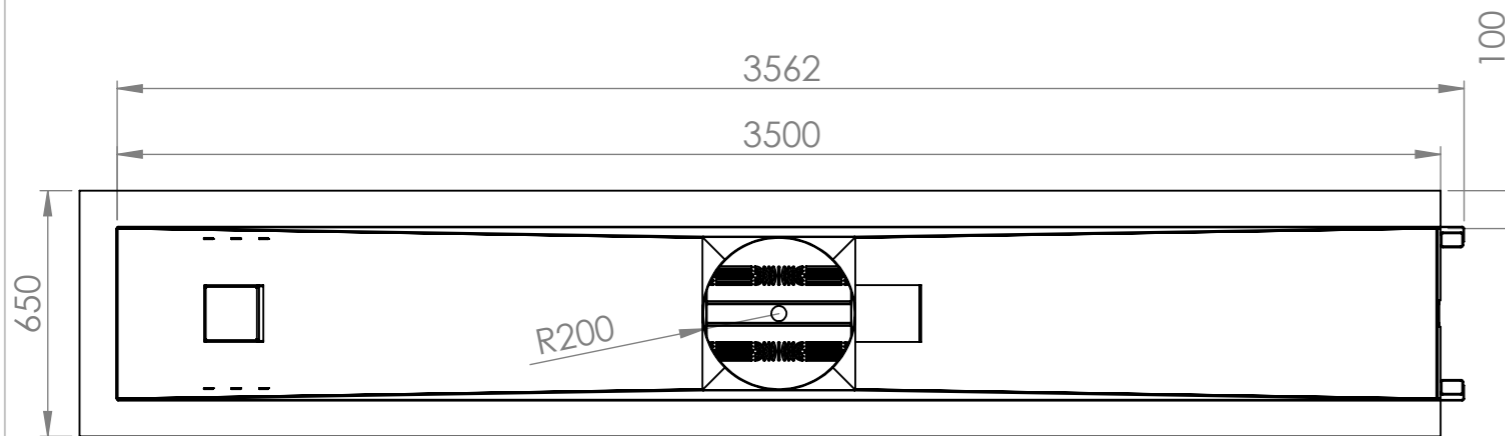
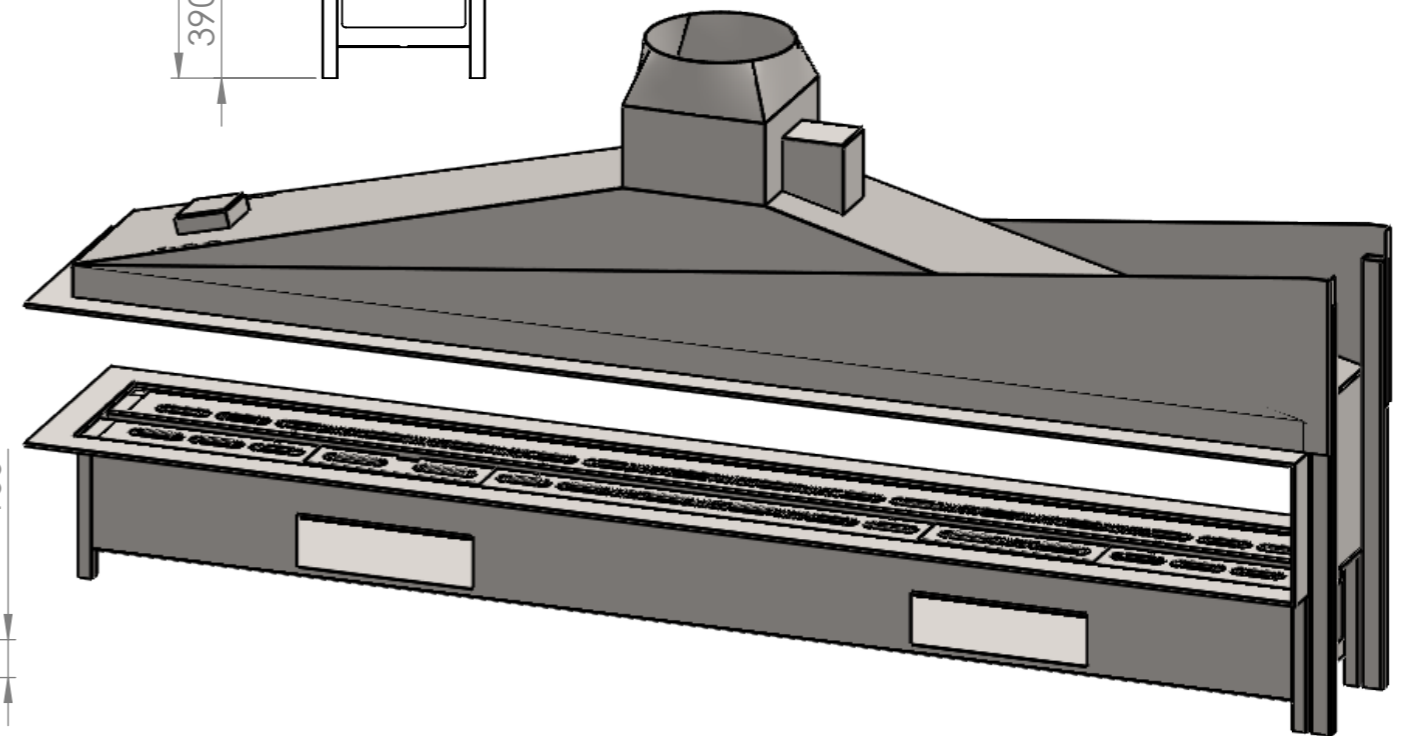
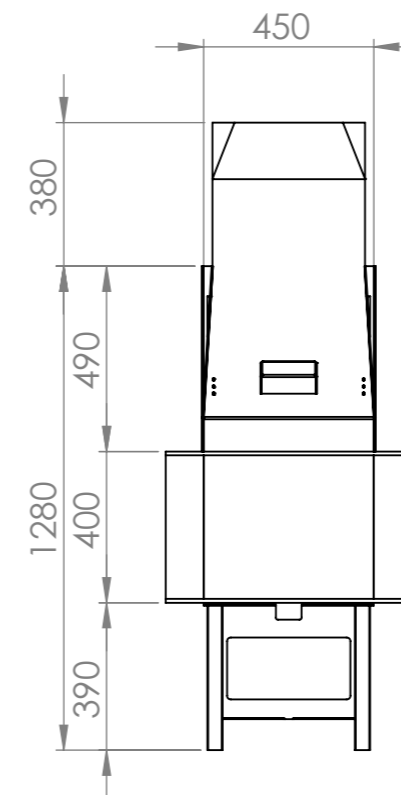
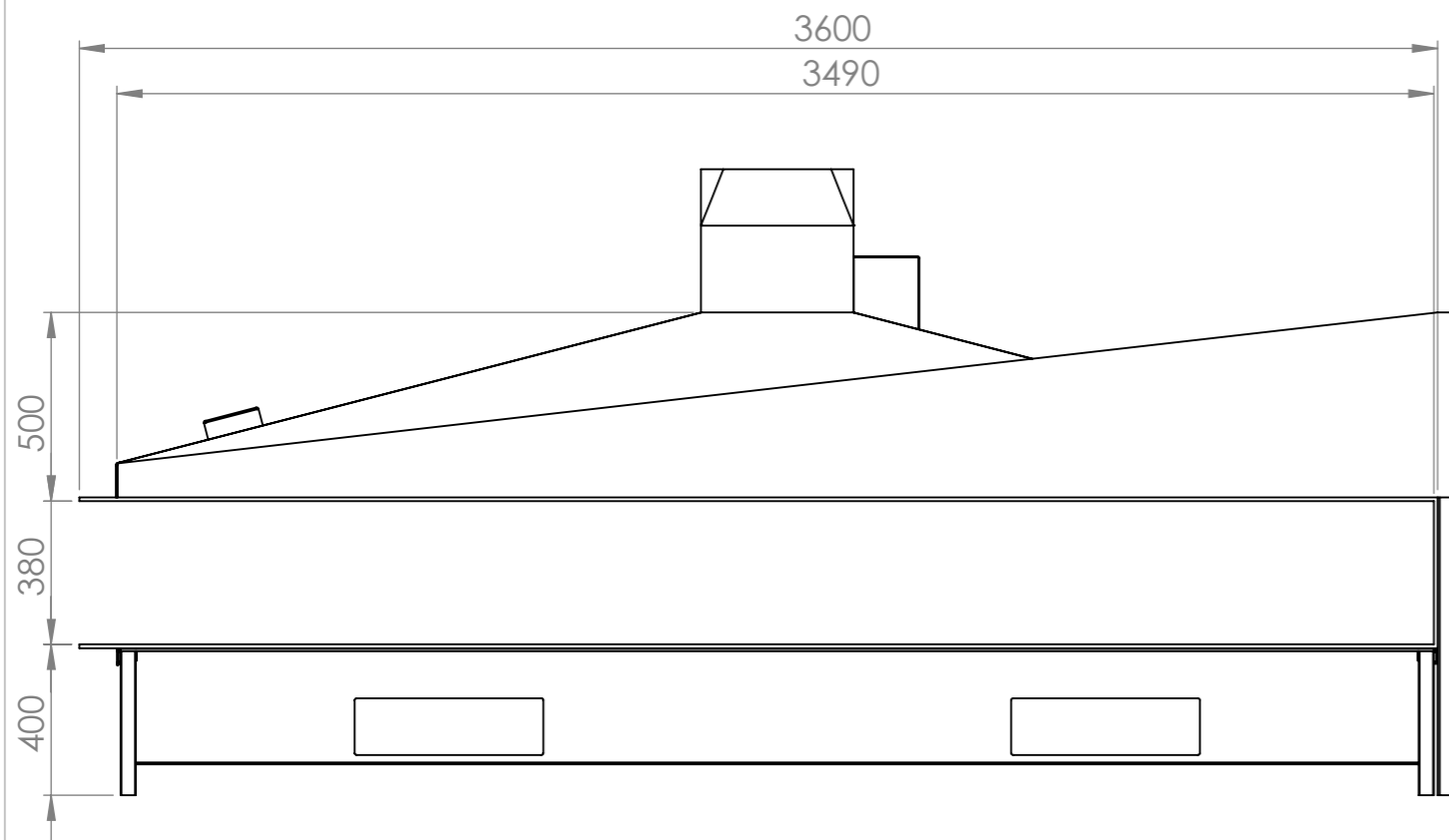


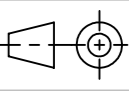
CLIENT				PROJECT Nippon G6 Room divider Slim frame 100/10		ALL RIGHTS RESERVED AND COPYRIGHTS BY	
				PART NUMBER NIPPON-G6H3		 <b>Vero Design</b> Zagerijstraat 23 B-2960 Sint-Job	
DRAWN	NAME	DATE 13/02/2020	SIGN	MATERIAL:	UNLESS OTHERWISE SPECIFIED: DIMENSIONS ARE IN MILLIMETERS TOLERANCES: ISO 2768 m K	DEBURR AND BREAK SHARP EDGES	
CHK'D			WEIGHT:				
APPV'D			FINISH:				
						DO NOT SCALE DRAWING	A3 SCALE:1:20 SHEET 1 OF 1



CLIENT				PROJECT Nippon G7 Room divider Slim frame 100/10		ALL RIGHTS RESERVED AND COPYRIGHTS BY <b>VERO DESIGN</b> Vero Design Zagerijstraat 23 B-2960 Sint-Job	
	NAME	DATE	SIGN	PART NUMBER NIPPON-G7H3		UNLESS OTHERWISE SPECIFIED: DIMENSIONS ARE IN MILLIMETERS TOLERANCES: ISO 2768 m K	DEBURR AND BREAK SHARP EDGES
DRAWN		13/02/2020					
CHK'D				MATERIAL:			<b>A3</b> SCALE:1:20
APPV'D			WEIGHT:				
			FINISH:				
						DO NOT SCALE DRAWING	SHEET 1 OF 1





CLIENT				PROJECT Nippon G8 Room divider Slim frame 100/10		ALL RIGHTS RESERVED AND COPYRIGHTS BY <b>VERO DESIGN</b> Vero Design Zagerijstraat 23 B-2960 Sint-Job	
	NAME	DATE	SIGN	PART NUMBER NIPPON-G8H3		UNLESS OTHERWISE SPECIFIED: DIMENSIONS ARE IN MILLIMETERS TOLERANCES: ISO 2768 m K	DEBURR AND BREAK SHARP EDGES
DRAWN		13/02/2020		MATERIAL:			
CHK'D				WEIGHT:			
APPV'D				FINISH:		 A3 SCALE:1:20	
							DO NOT SCALE DRAWING