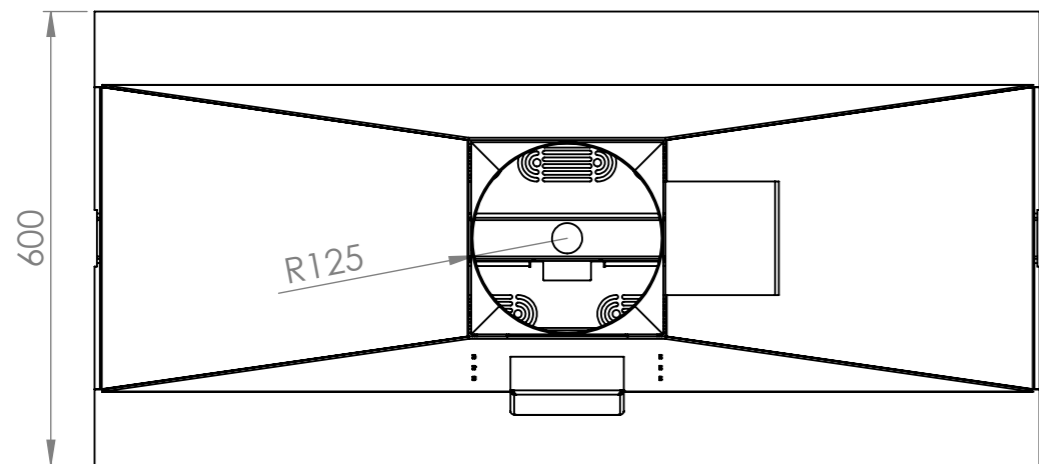
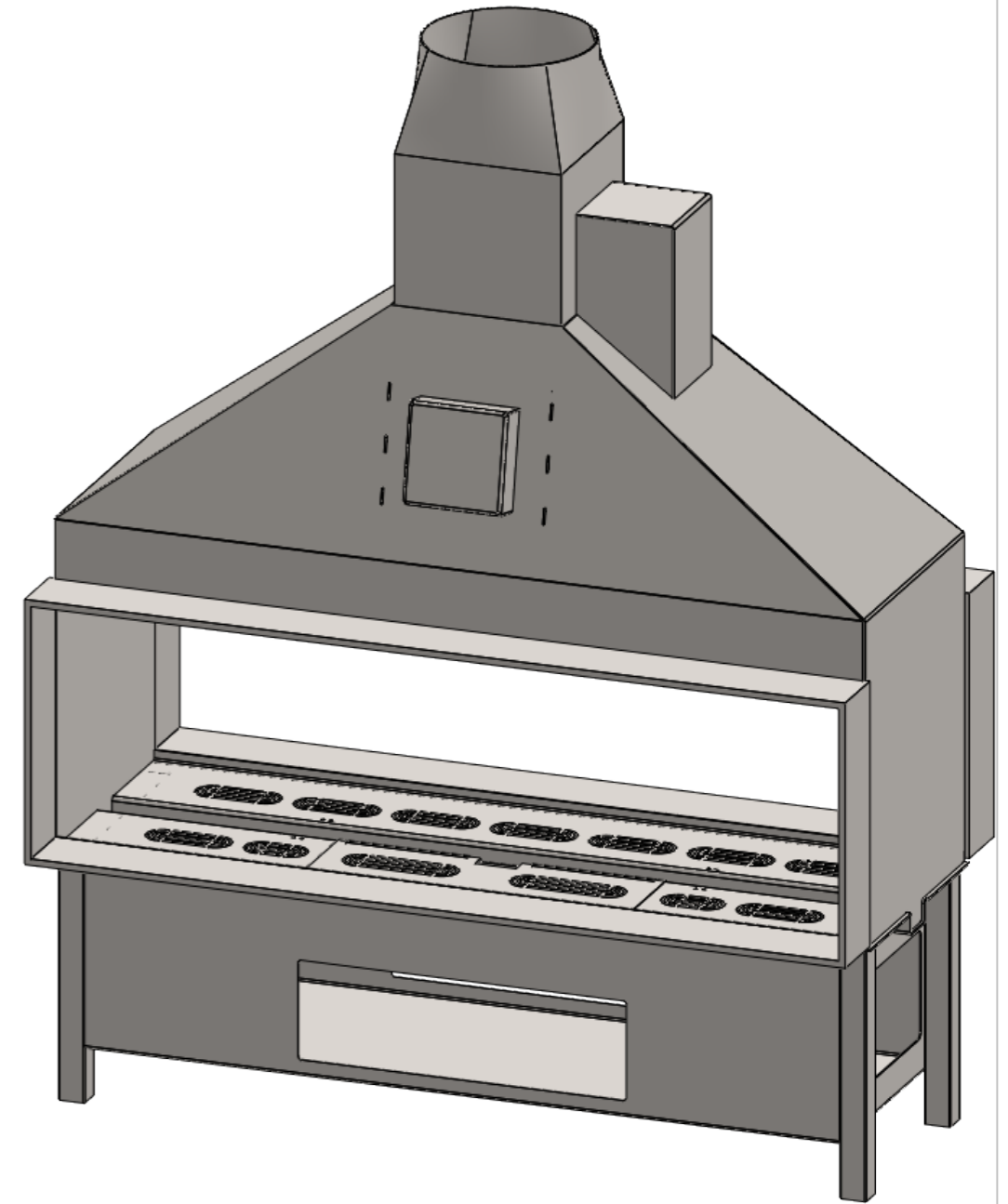
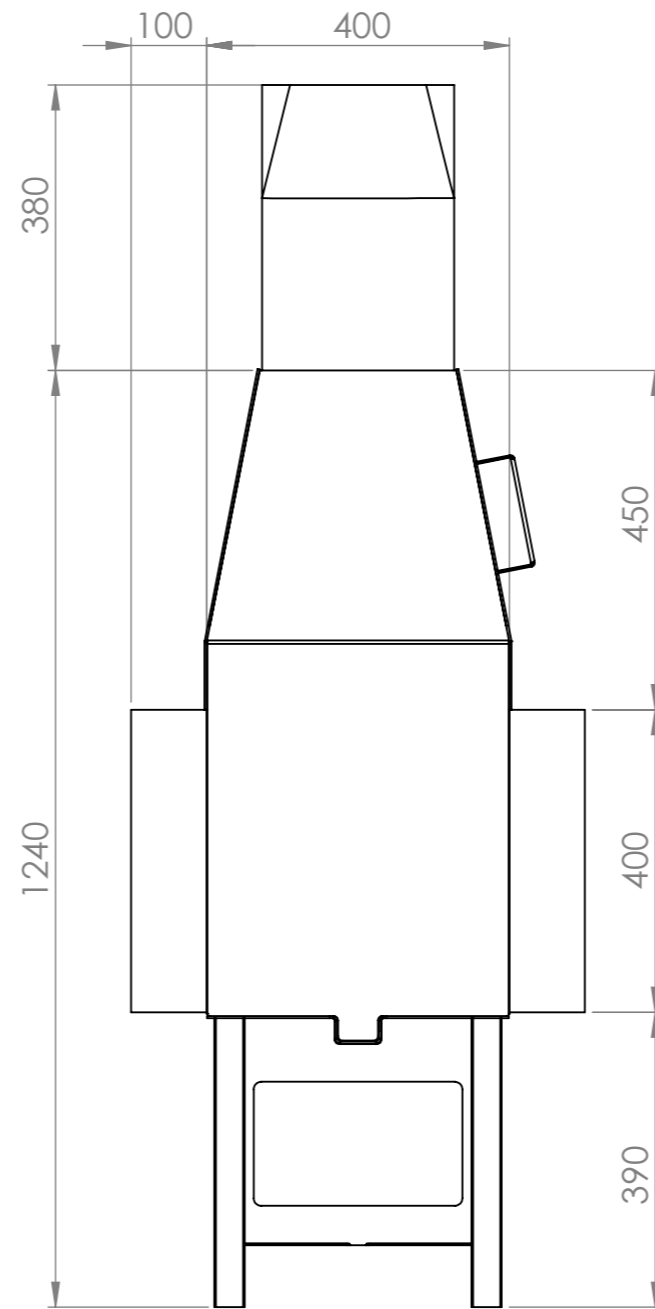
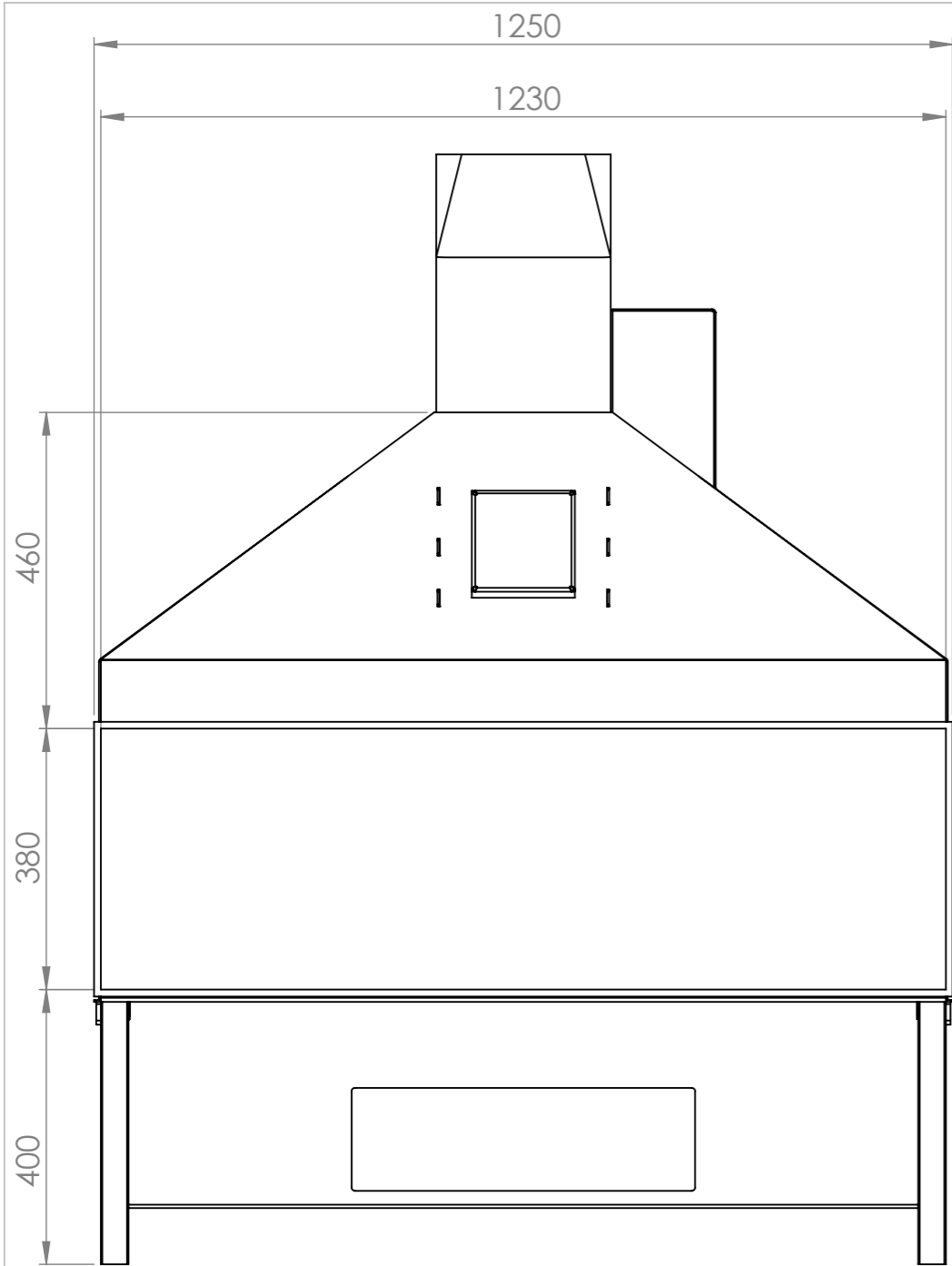

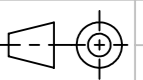
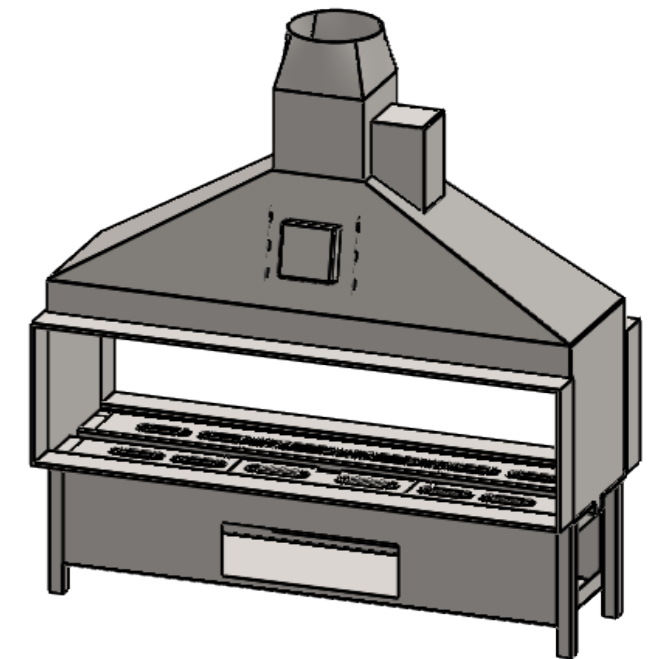
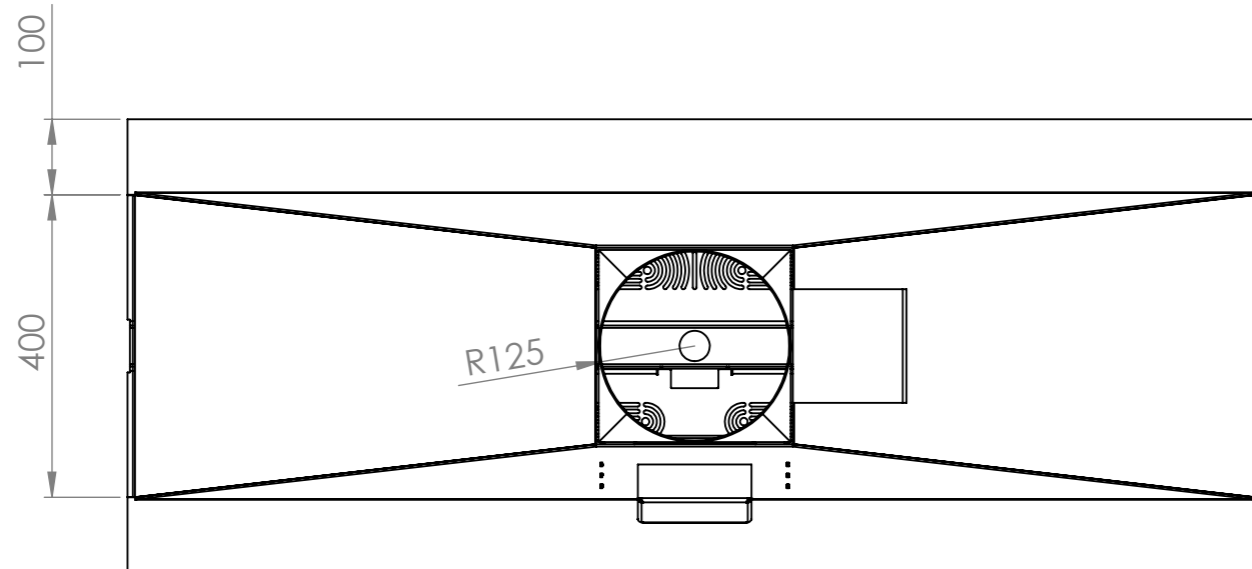
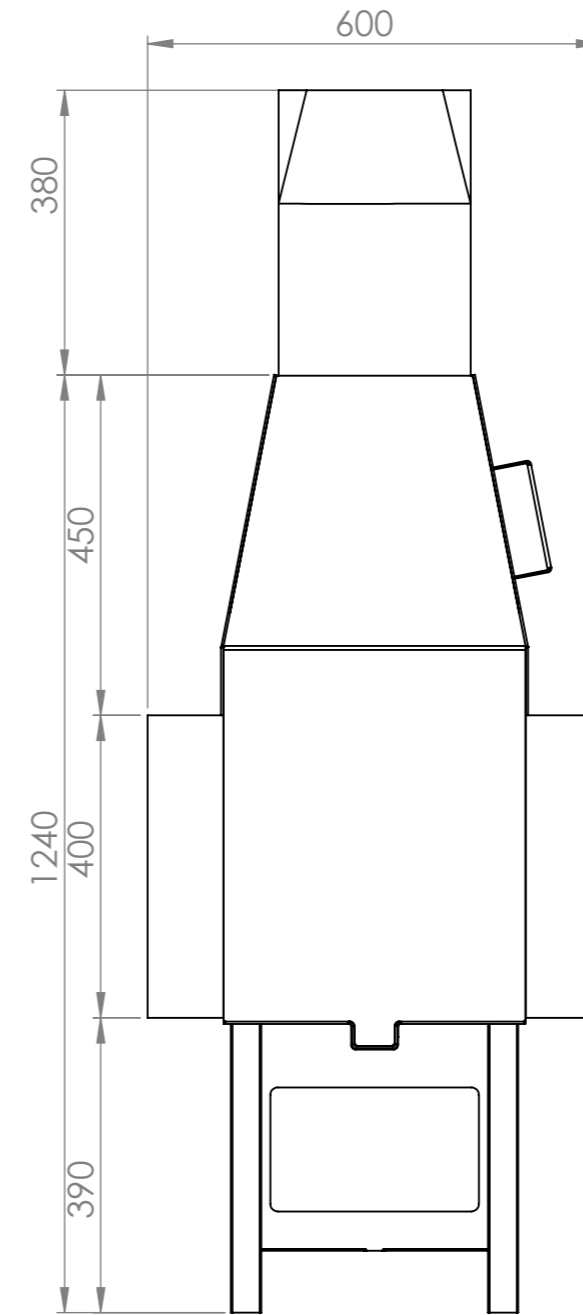
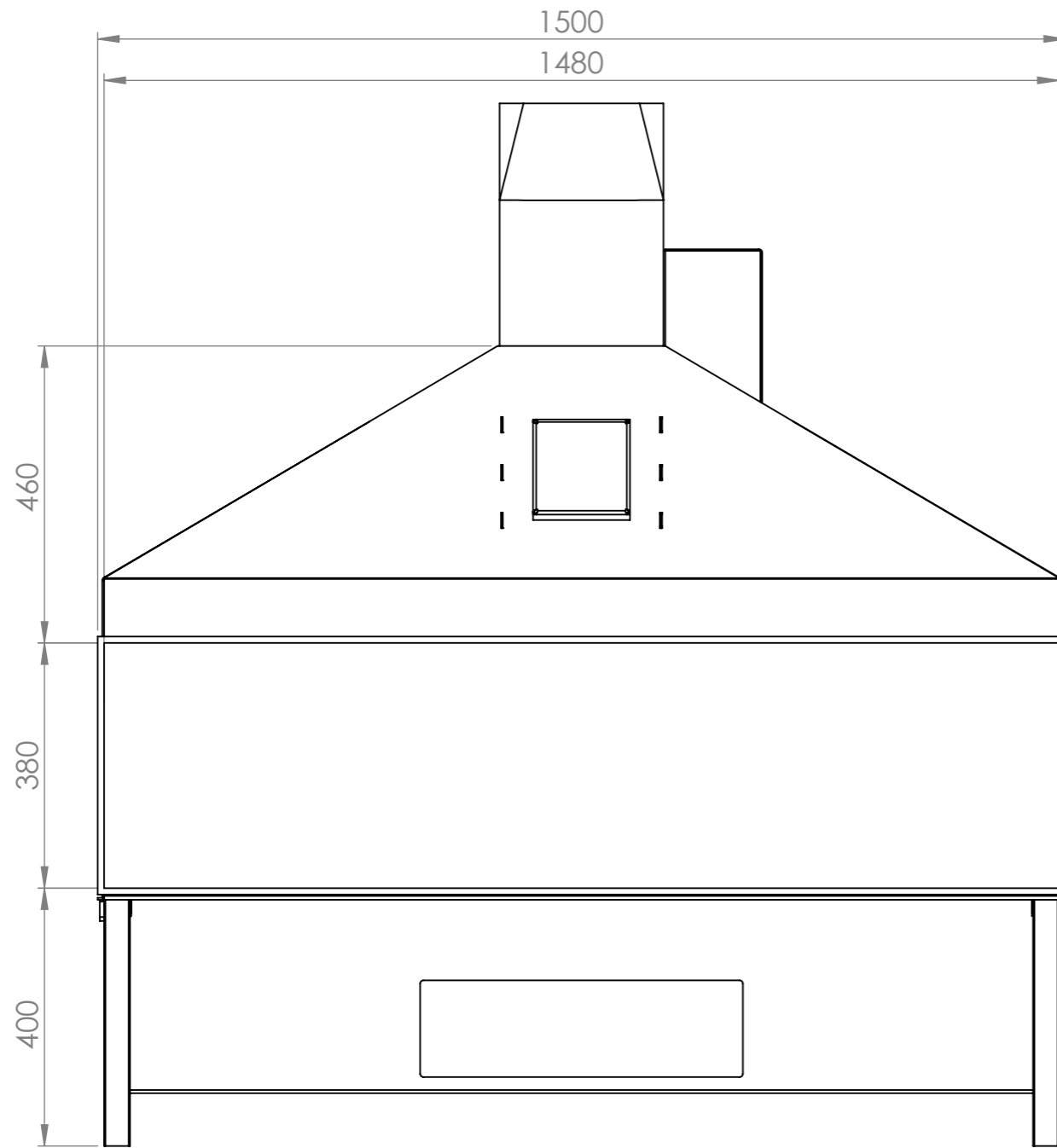

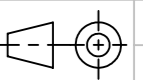


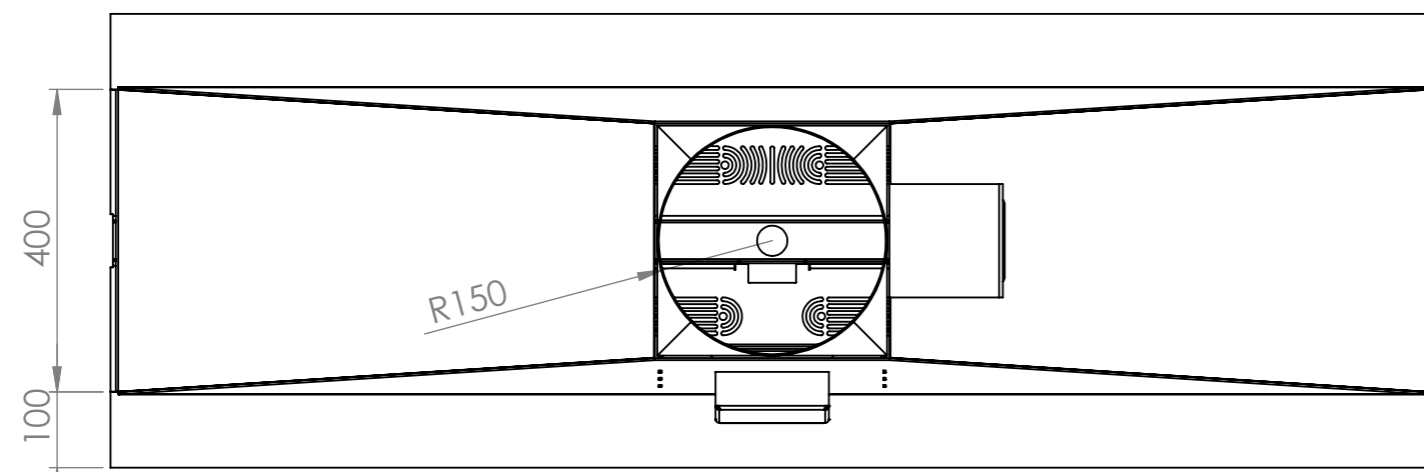
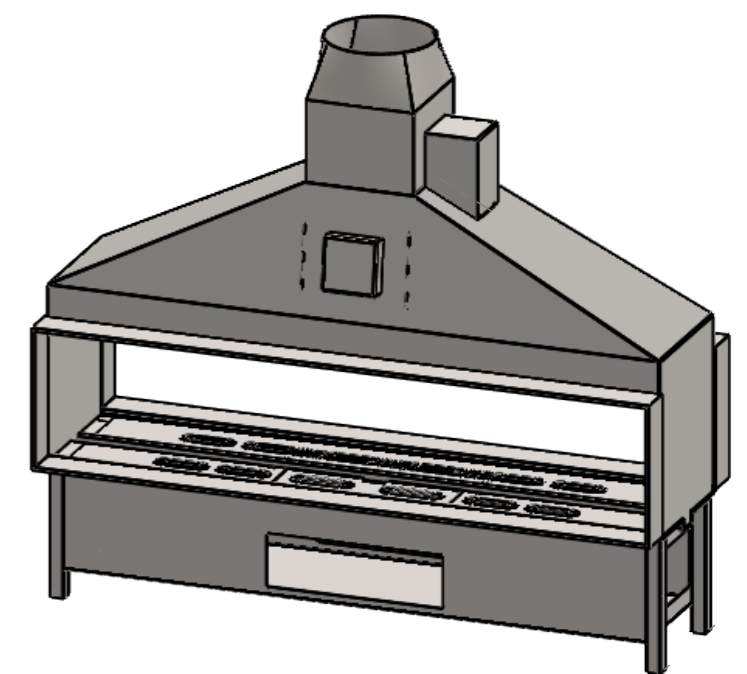
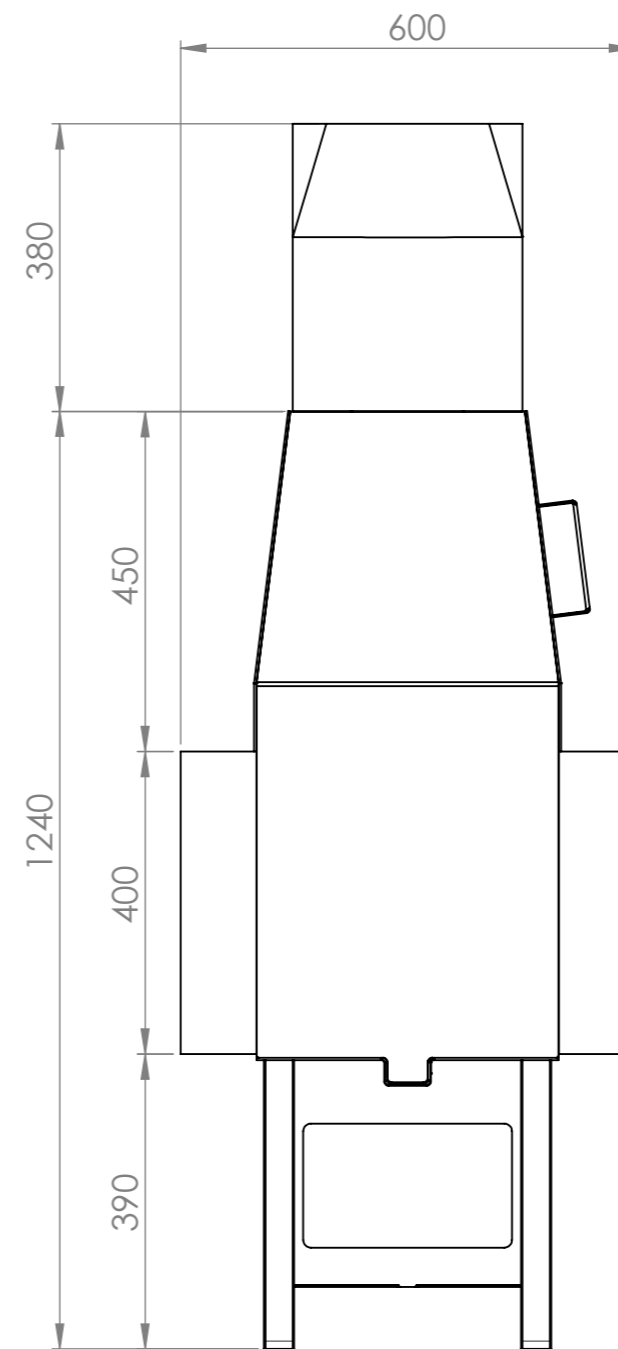
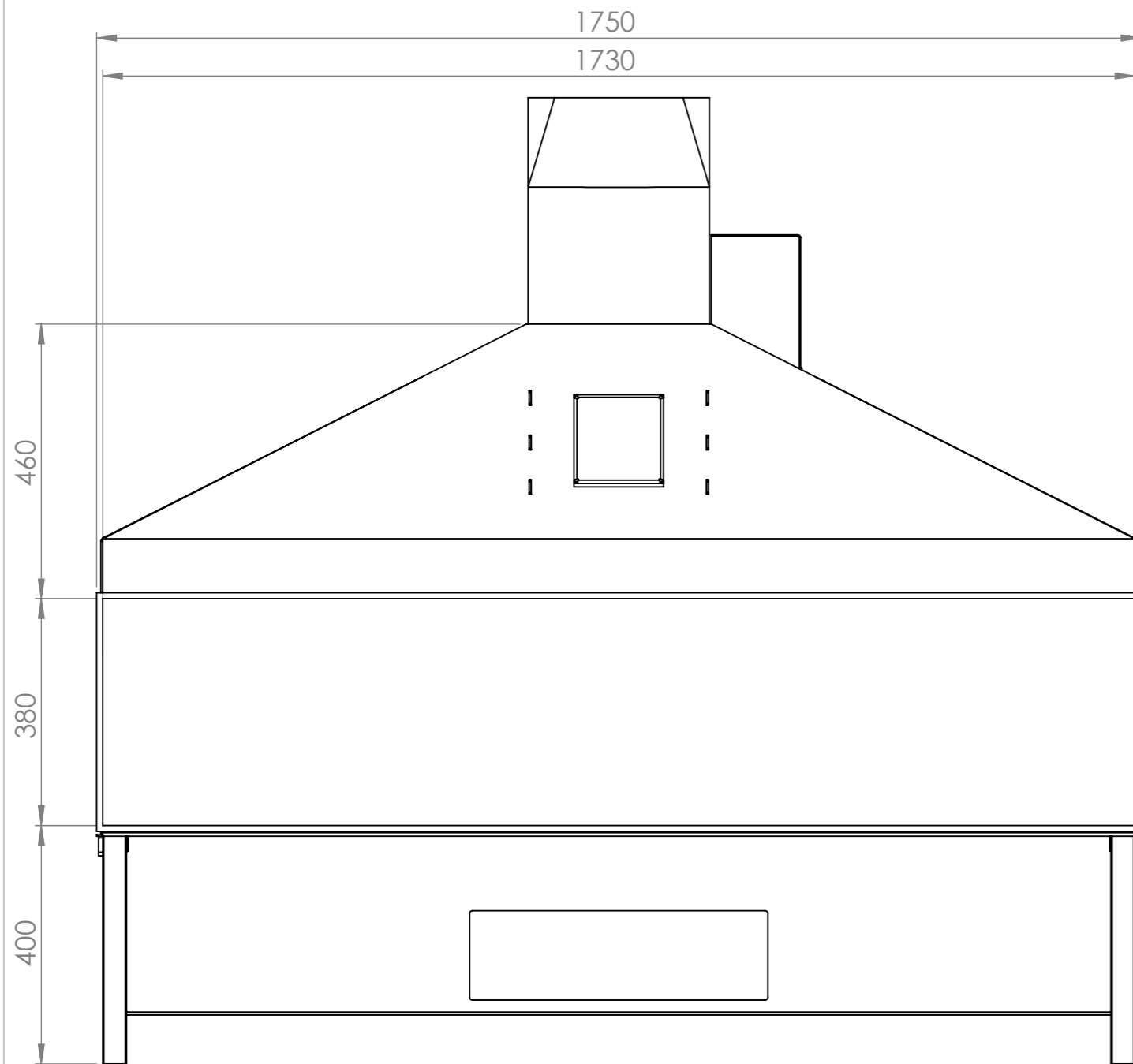
CLIENT				PROJECT Nippon G0 Tunnel B11 200 Line burner - Slim frame 100		ALL RIGHTS RESERVED AND COPYRIGHTS BY VERO DESIGN Vero Design Zagerijstraat 23 B-2960 Sint-Job	
DRAWN	NAME	DATE	SIGN	PART NUMBER Nippon-G0D		UNLESS OTHERWISE SPECIFIED: DIMENSIONS ARE IN MILLIMETERS TOLERANCES: ISO 2768 m K	DEBURR AND BREAK SHARP EDGES
CHK'D				MATERIAL:			
APPV'D				WEIGHT:			
				FINISH:			
						DO NOT SCALE DRAWING	A3 SCALE:1:10 SHEET 1 OF 1


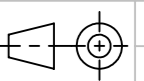


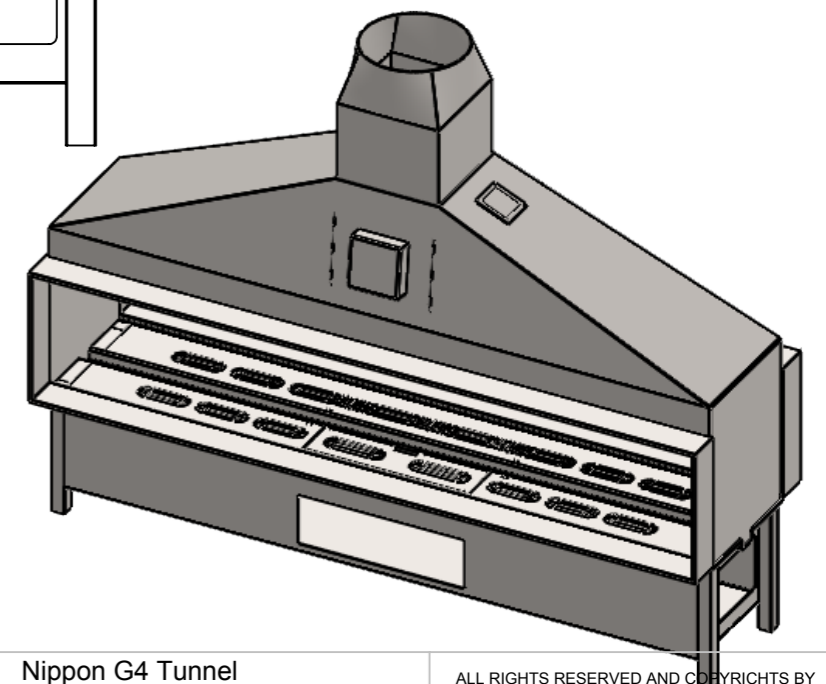
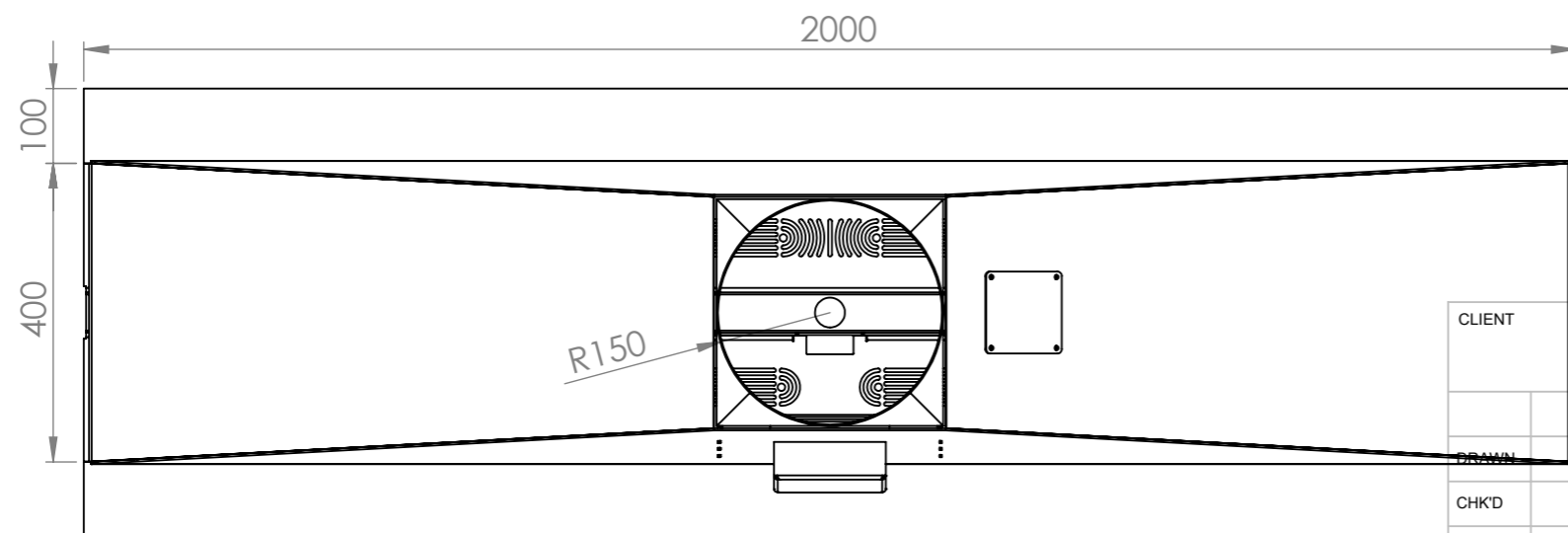
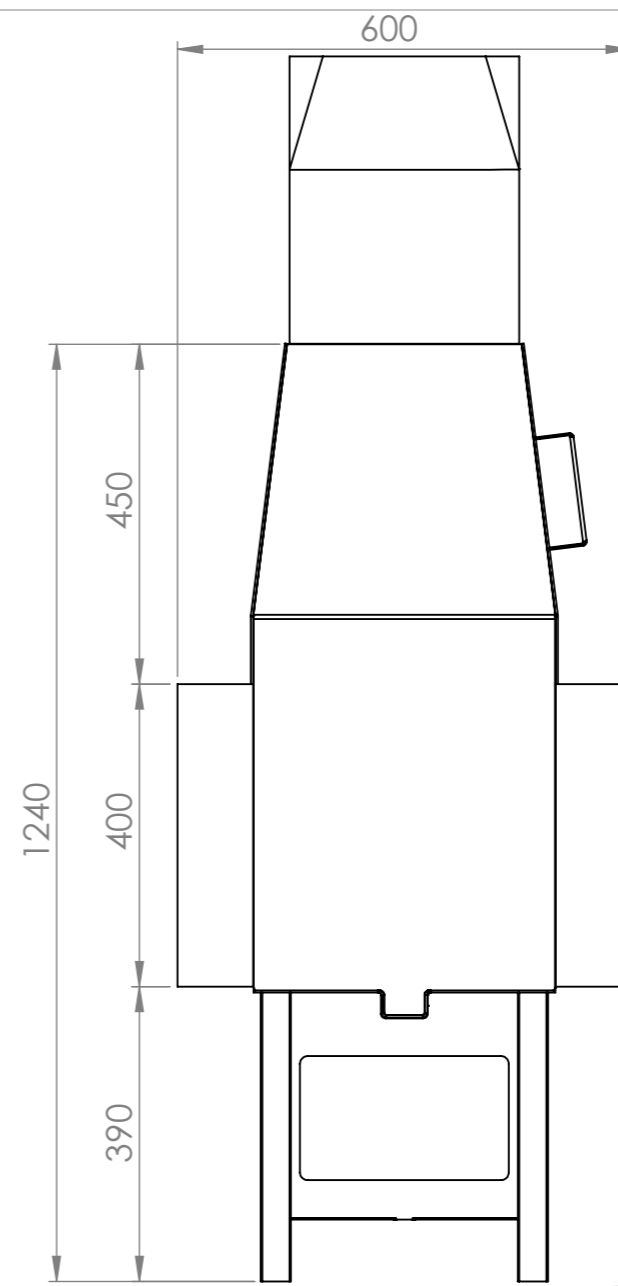
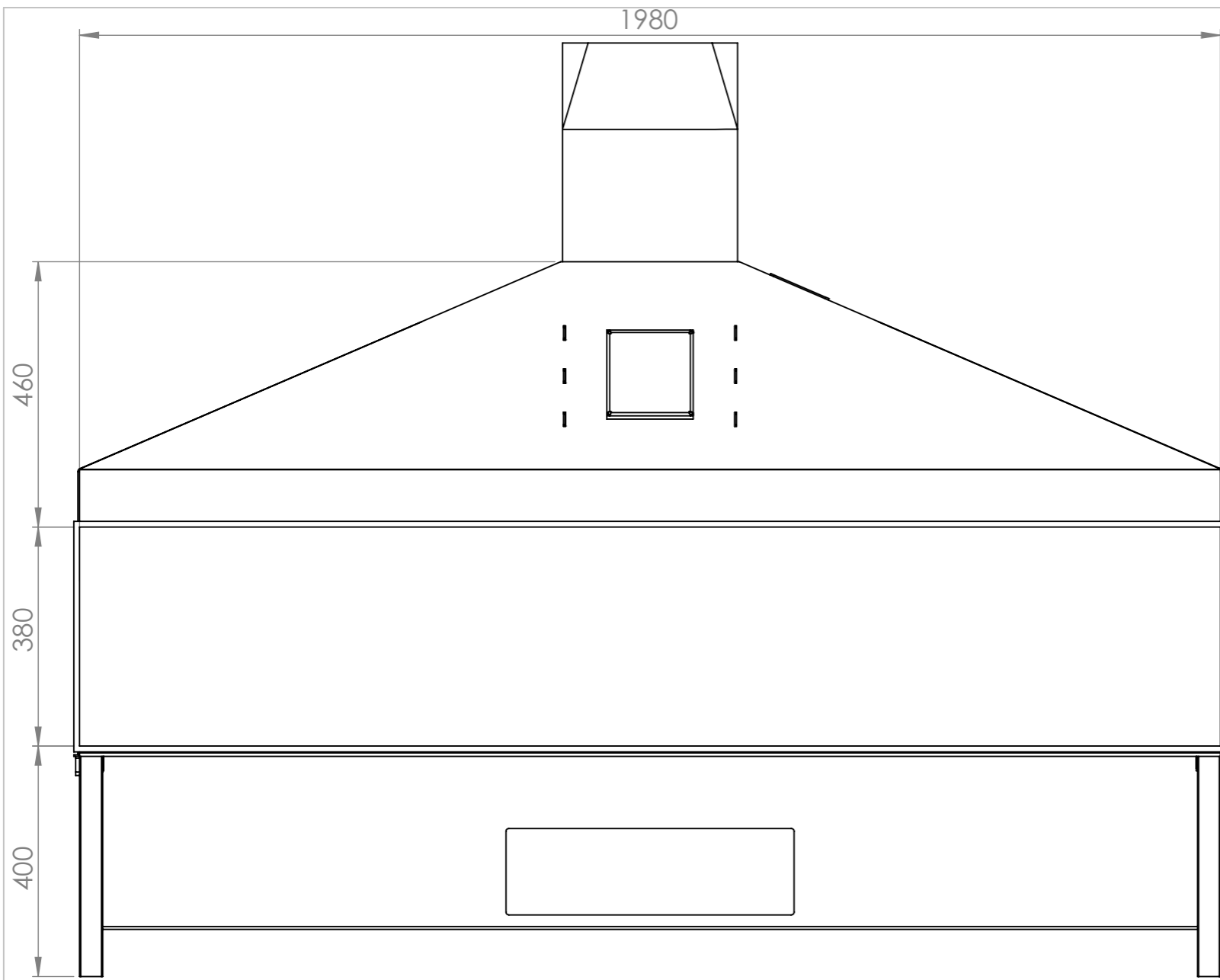
CLIENT				PROJECT Nippon G1 Tunnel B11 250 Line burner - Slim frame100		ALL RIGHTS RESERVED AND COPYRIGHTS BY	
						 Vero Design Zagerijstraat 23 B-2960 Sint-Job	
DRAWN	NAME	DATE	SIGN	PART NUMBER		DEBURR AND BREAK SHARP EDGES	
		31/01/2020		Nippon-G1D			
CHK'D				MATERIAL:	UNLESS OTHERWISE SPECIFIED: DIMENSIONS ARE IN MILLIMETERS TOLERANCES: ISO 2768 m K	A3	
APPV'D				WEIGHT:		SCALE:1:10	
				FINISH:		DO NOT SCALE DRAWING	
						SHEET 1 OF 1	



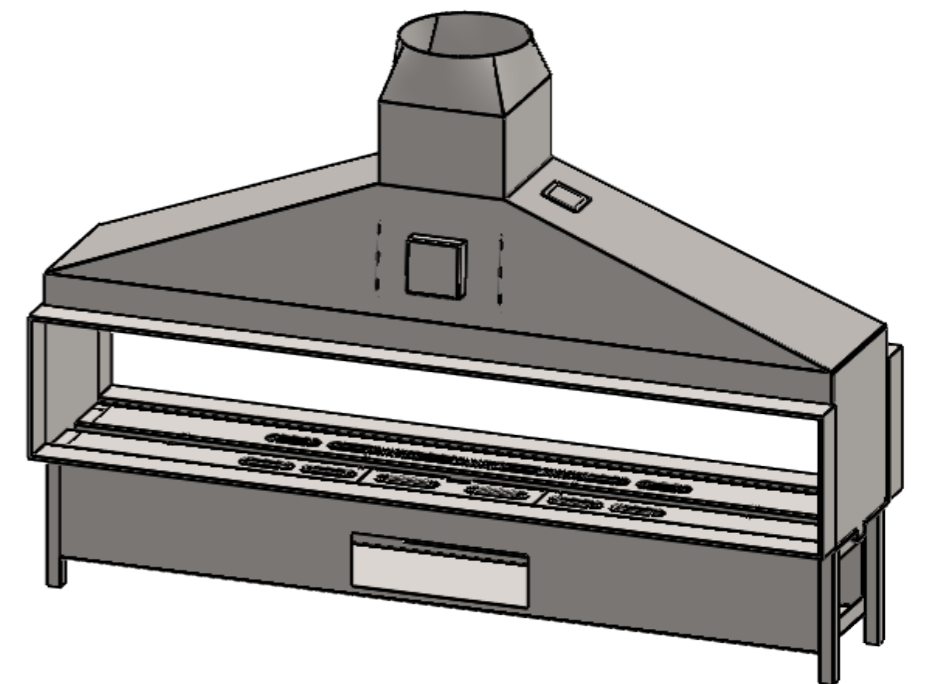
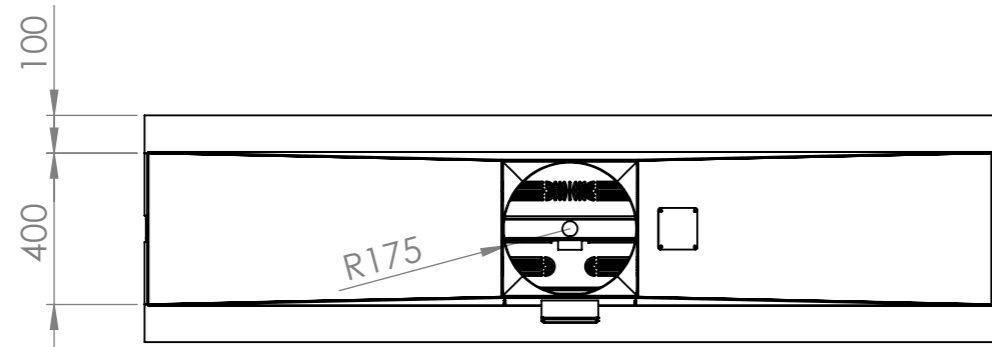
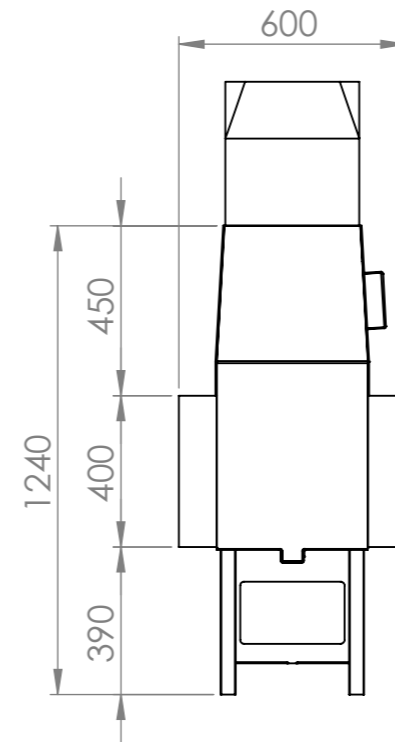
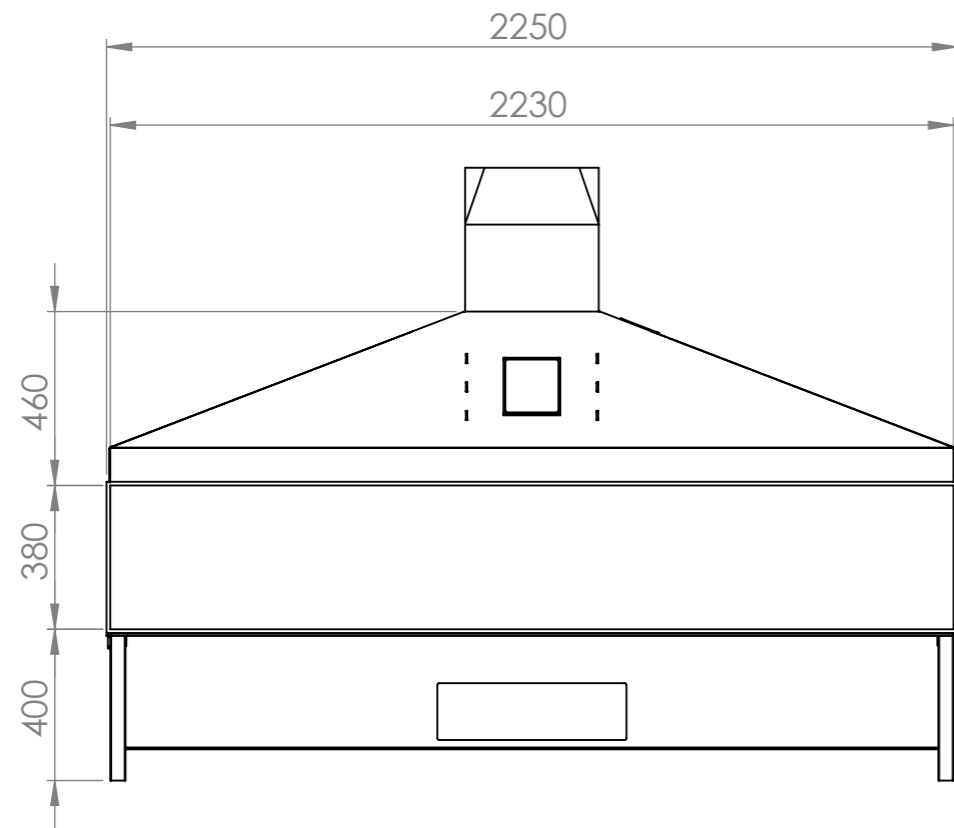
CLIENT				PROJECT Nippon G2 Tunnel B11 250 Line burner - Slim frame 100		ALL RIGHTS RESERVED AND COPYRIGHTS BY	
DRAWN				PART NUMBER Nippon-G2D		 Vero Design Zagerijstraat 23 B-2960 Sint-Job	
CHK'D				MATERIAL:		UNLESS OTHERWISE SPECIFIED: DIMENSIONS ARE IN MILLIMETERS TOLERANCES: ISO 2768 m K	
APPV'D				WEIGHT:		DEBURR AND BREAK SHARP EDGES	
				FINISH:			
						A3 SCALE:1:10 DO NOT SCALE DRAWING SHEET 1 OF 1	


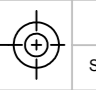


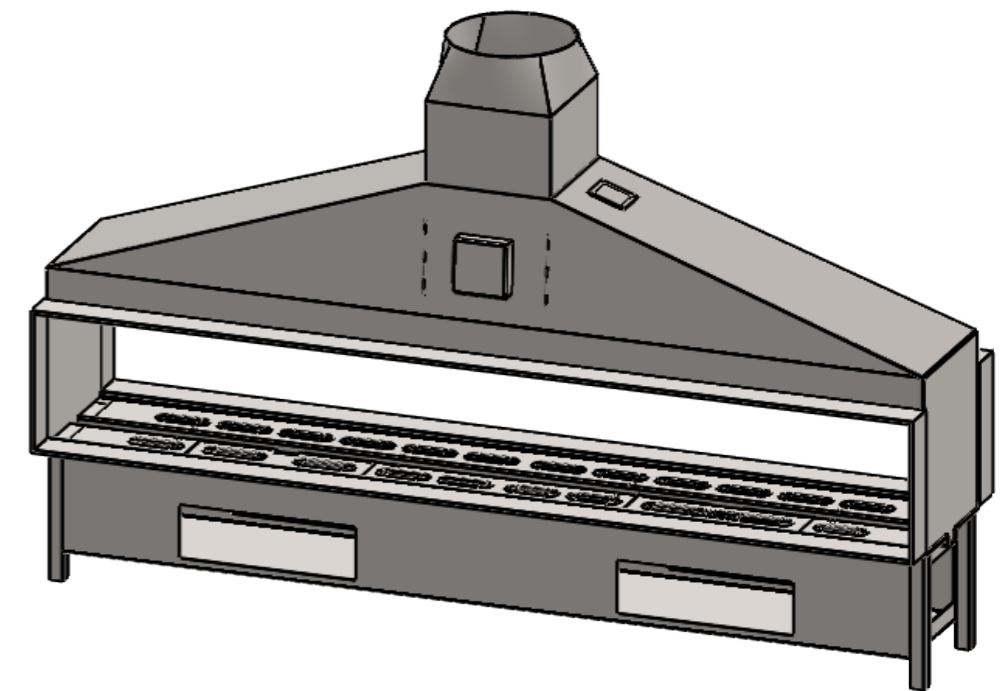
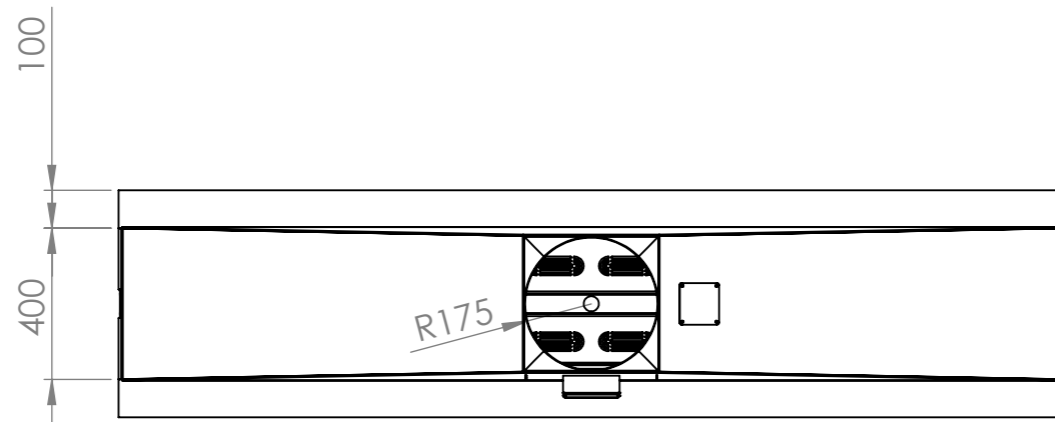
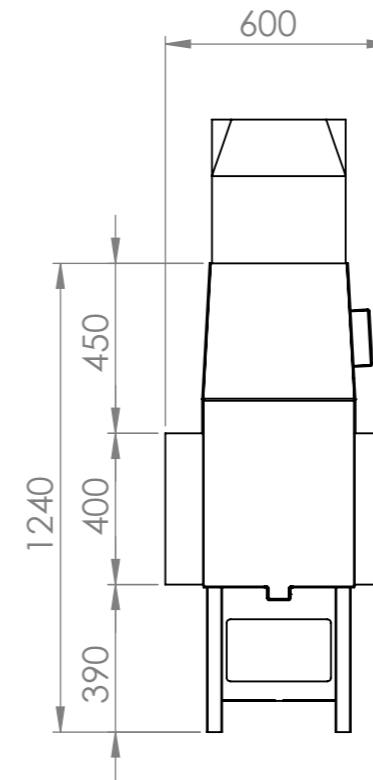
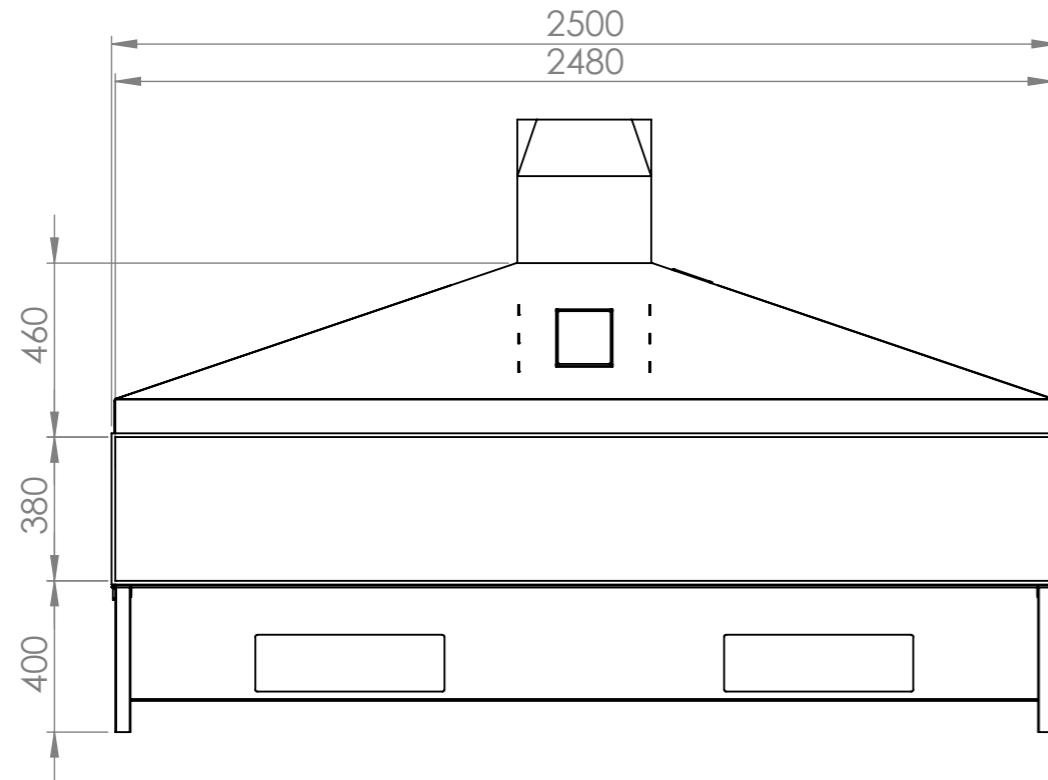
CLIENT				PROJECT Nippon G3 Tunnel B11 300 Line burner - Slim frame 100		ALL RIGHTS RESERVED AND COPYRIGHTS BY	
				PART NUMBER Nippon-G3D		 Vero Design Zagerijstraat 23 B-2960 Sint-Job	
DRAWN	NAME	DATE 31/01/2020	SIGN	MATERIAL:		UNLESS OTHERWISE SPECIFIED: DIMENSIONS ARE IN MILLIMETERS TOLERANCES: ISO 2768 m K	DEBURR AND BREAK SHARP EDGES
CHK'D			WEIGHT:				
APPV'D			FINISH:				
						DO NOT SCALE DRAWING	A3 SCALE:1:10 SHEET 1 OF 1


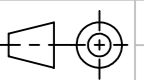


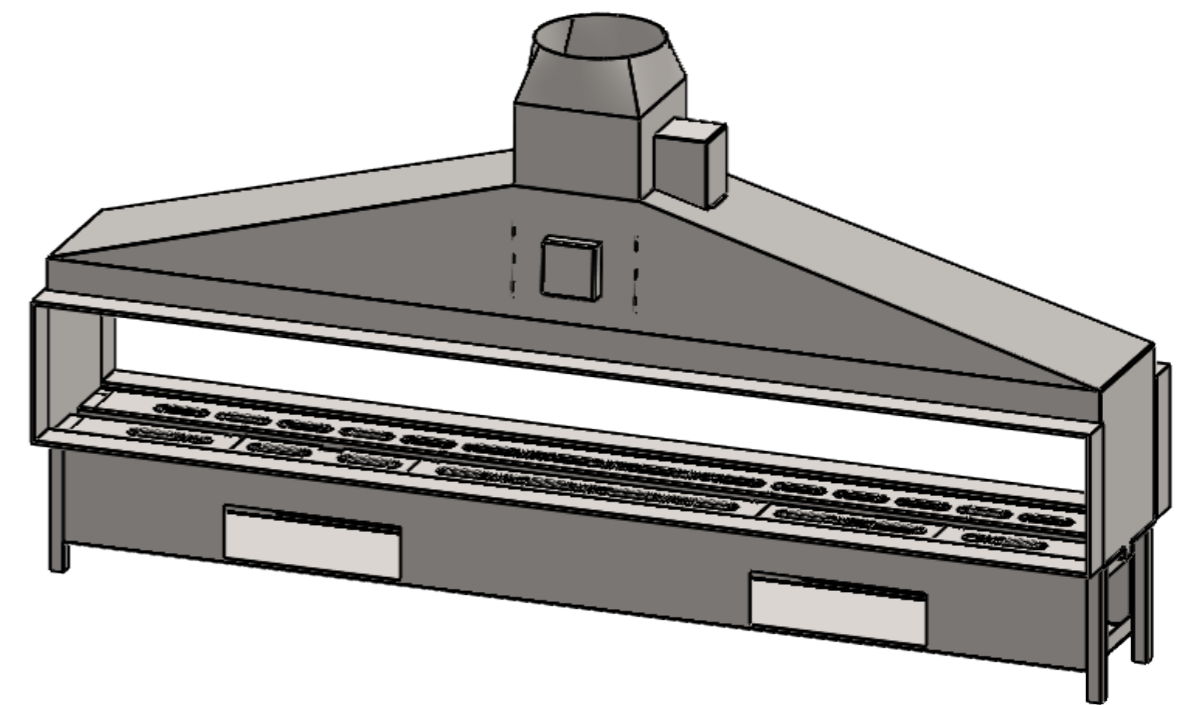
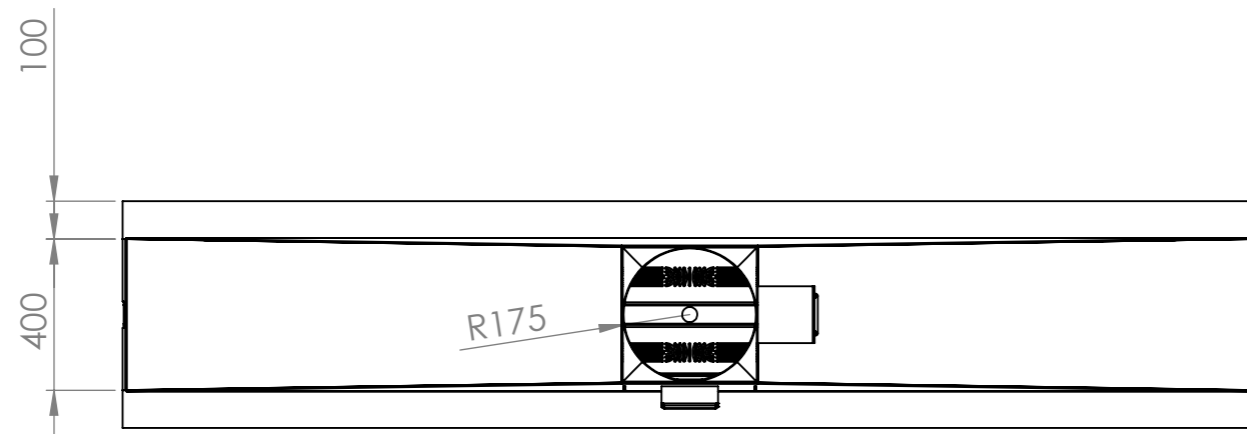
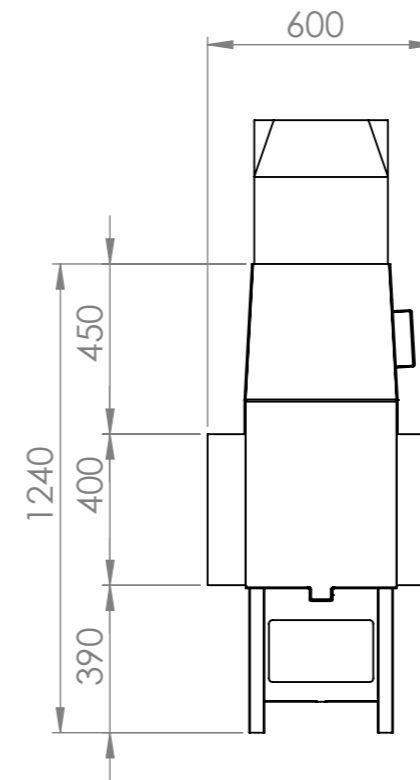
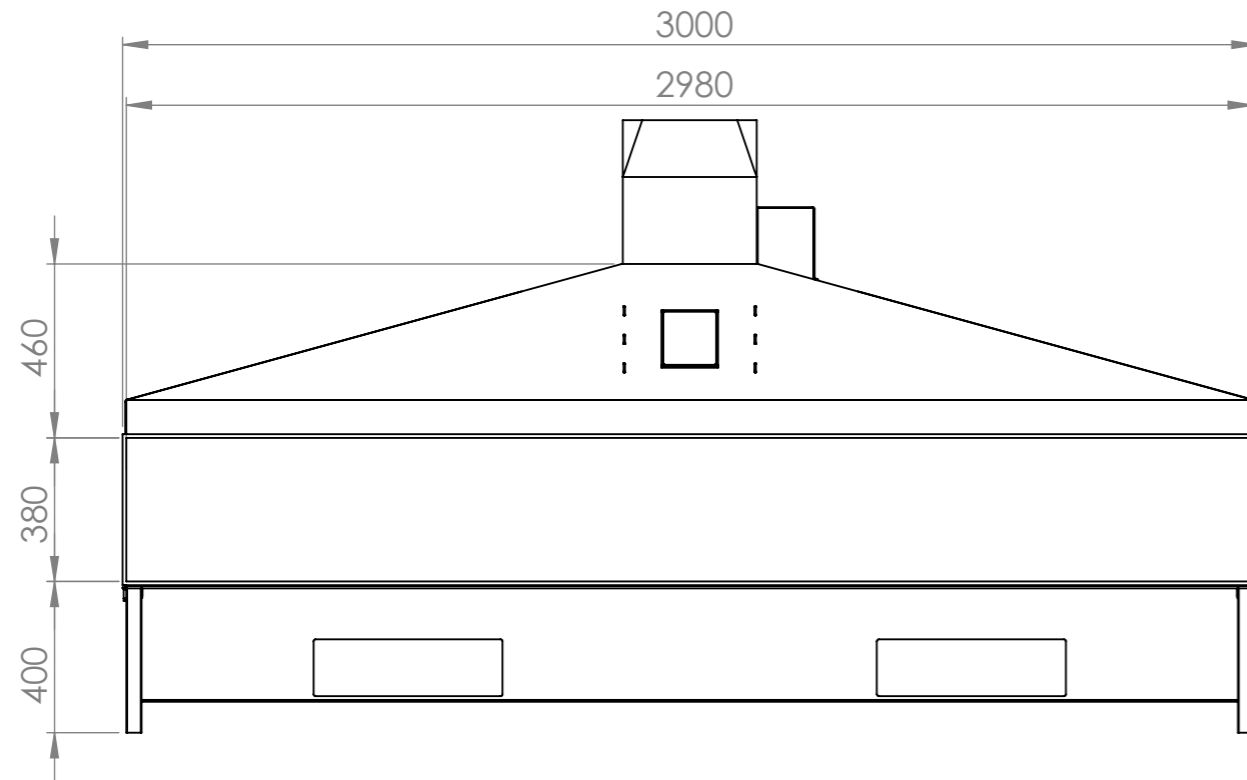
CLIENT				PROJECT	Nippon G4 Tunnel B11 300 Line burner - Slim frame 100		ALL RIGHTS RESERVED AND COPYRIGHTS BY VERO DESIGN Vero Design Zagerijstraat 23 B-2960 Sint-Job	UNLESS OTHERWISE SPECIFIED: DIMENSIONS ARE IN MILLIMETERS TOLERANCES: ISO 2768 m K	DEBURR AND BREAK SHARP EDGES		A3 SCALE:1:10
DRAWN	NAME	DATE	SIGN	PART NUMBER	Nippon-G4D						
CHK'D				MATERIAL:			DO NOT SCALE DRAWING			SHEET 1 OF 1	
APPV'D				WEIGHT:							
				FINISH:							


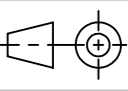


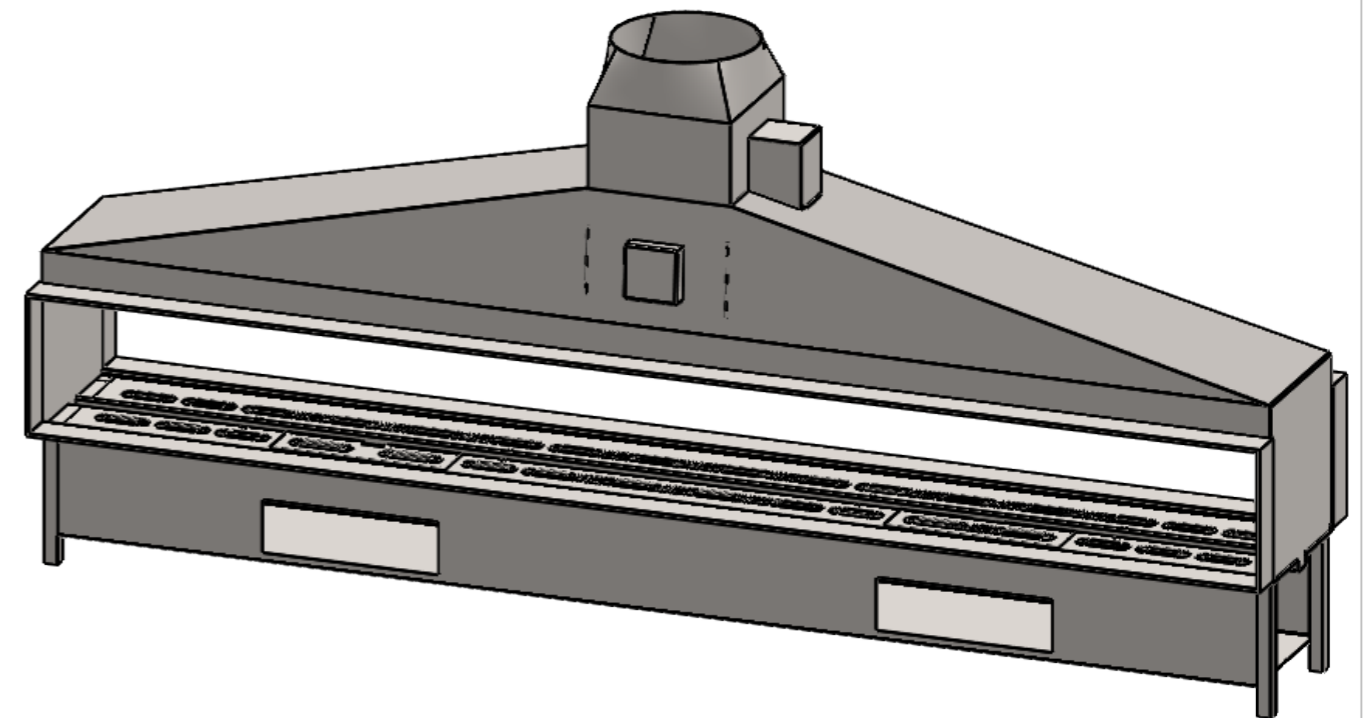
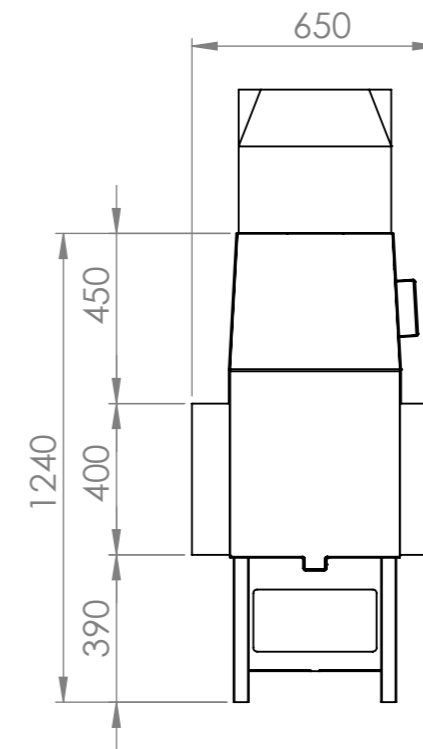
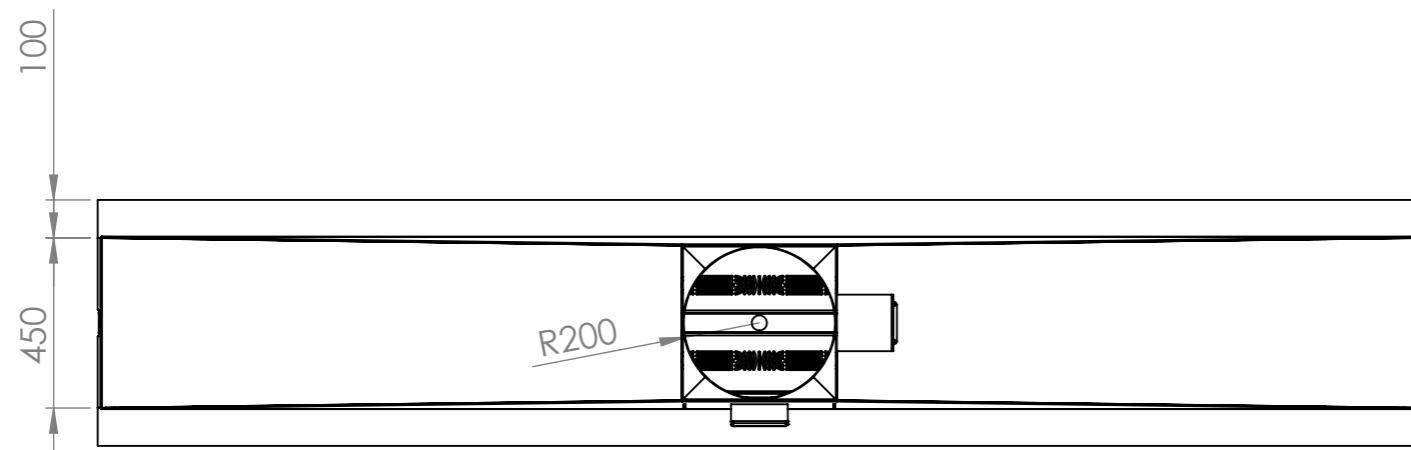
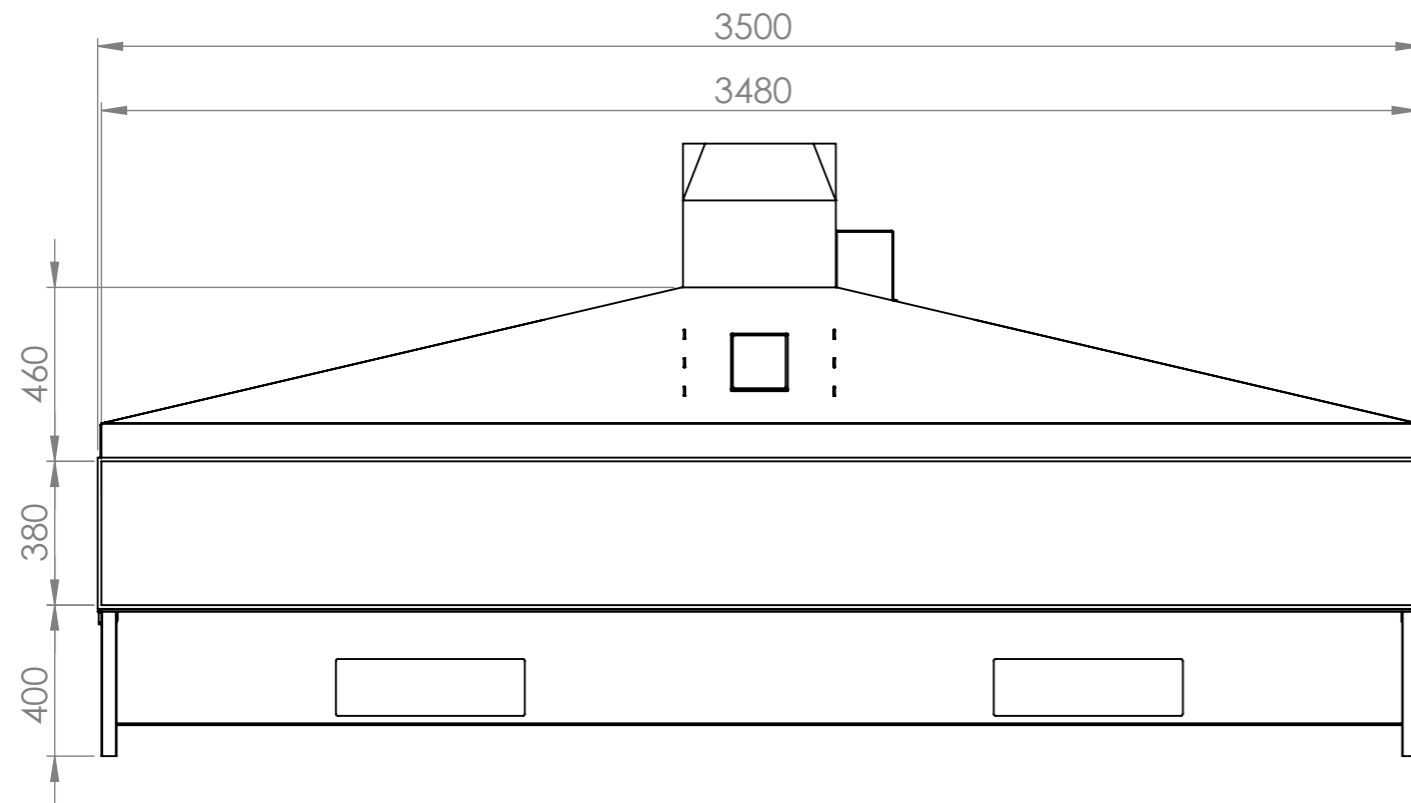
CLIENT				PROJECT Nippon G5 Tunnel B11 350 Line burner - Slim frame 100		ALL RIGHTS RESERVED AND COPYRIGHTS BY	
				PART NUMBER Nippon-G5D		 Vero Design Zagerijstraat 23 B-2960 Sint-Job	
DRAWN	NAME	DATE 3/02/2020	SIGN	MATERIAL:	UNLESS OTHERWISE SPECIFIED: DIMENSIONS ARE IN MILLIMETERS TOLERANCES: ISO 2768 m K	DEBURR AND BREAK SHARP EDGES	 A3 SCALE:1:20
CHK'D			WEIGHT:				
APPV'D			FINISH:				
						DO NOT SCALE DRAWING	SHEET 1 OF 1


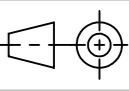


CLIENT				PROJECT Nippon G6 Tunnel B11 350 Line burner - Slim frame 100		ALL RIGHTS RESERVED AND COPYRIGHTS BY	
				PART NUMBER Nippon-G6D		 Vero Design Zagerijstraat 23 B-2960 Sint-Job	
DRAWN	NAME	DATE 3/02/2020	SIGN	MATERIAL:		UNLESS OTHERWISE SPECIFIED: DIMENSIONS ARE IN MILLIMETERS TOLERANCES: ISO 2768 m K	DEBURR AND BREAK SHARP EDGES
CHK'D			WEIGHT:				
APPV'D			FINISH:				
						DO NOT SCALE DRAWING	SHEET 1 OF 1



CLIENT				PROJECT Nippon G7 Tunnel B11 350 Line burner - Slim frame 100		ALL RIGHTS RESERVED AND COPYRIGHTS BY	
				PART NUMBER Nippon-G7D		 Vero Design Zagerijstraat 23 B-2960 Sint-Job	
DRAWN	NAME	DATE 3/02/2020	SIGN	MATERIAL:	UNLESS OTHERWISE SPECIFIED: DIMENSIONS ARE IN MILLIMETERS TOLERANCES: ISO 2768 m K		DEBURR AND BREAK SHARP EDGES
CHK'D			WEIGHT:				
APPV'D			FINISH:				
							A3 SCALE:1:20
						DO NOT SCALE DRAWING	SHEET 1 OF 1



CLIENT				PROJECT		Nippon G8 Tunnel B11 400 Line burner - Slim frame 100		ALL RIGHTS RESERVED AND COPYRIGHTS BY	
				PART NUMBER		Nippon-G8D		 Vero Design Zagerijstraat 23 B-2960 Sint-Job	
DRAWN	NAME	DATE	SIGN	MATERIAL:		UNLESS OTHERWISE SPECIFIED: DIMENSIONS ARE IN MILLIMETERS TOLERANCES: ISO 2768 m K		DEBURR AND BREAK SHARP EDGES	
CHK'D				WEIGHT:					
APPV'D				FINISH:				A3 SCALE:1:20	
								DO NOT SCALE DRAWING	
								SHEET 1 OF 1	